



K • TOUR

**RETRO AND STYLISH!
FRONT BASKET WITH CUTE CURVE DESIGN!**



UNDER DEVELOPMENT
FRONT CARRIER FOR
MONKEY125 (JB02/03)



ATTENTION : Honda front carrier (sold separately) is required for installation.

Front basket is newly released. Stores small parts such as rain wear in it. Tightens luggage inside with luggage holding bar. The wires that make up are also thicker and stronger.

SUPER CUB 110 (JA44)



FRONT CARRIER (HONDA OPTION) + FRONT BASKET

FRONT



PLATE SIZE : 110 mm × 24 mm
HONDA sticker (87509-187-000) can be pasted.

SIDE



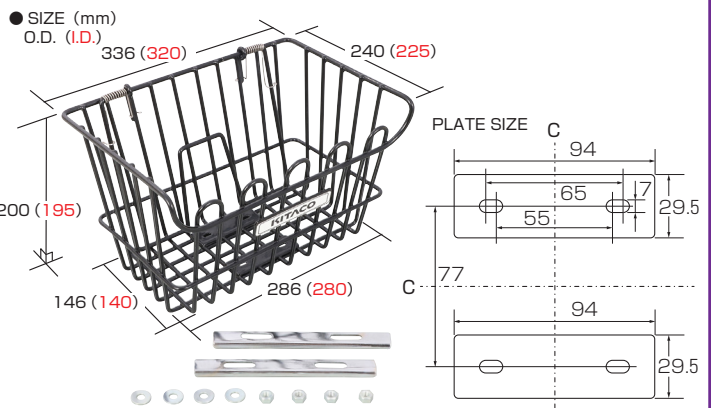
The wires that make up are thicker and stronger.

FRONT BASKET

COLOR	CODE	PRICE
BLACK	80-688-90050 CLICK	¥4,600

● UNIVERSAL ● STEEL ● RESIN COATING ● SIZE (UPPER) : L 336mm × W 240mm (BOTTOM) : L 286mm × W 146mm (HEIGHT) : 200mm ● WEIGHT : 1.6kg ● SPRING-LOADED LUGGAGE HOLDING BAR BUILT-IN ● INSTALLING BOLT / BRACKET INCL.
● SOLD EACH

- ※ Front carrier is not included. Sold separately.
- ※ Do not overload inside the basket.
- ※ Tighten luggage inside with string or luggage holding bar



2 types of installing bolts (long / shorts) included.