



SECURITY RELATED PARTS

KML-LIGHT

KITACO ANTI-THIFT LEVEL 70



HORN SHAFT

Guards against removing the horn cover and replacing the entire handle.

HANDLE LOCK SHAFT

A shaft that hits the bottom of the inner panel and prevents from turning the steering wheel.

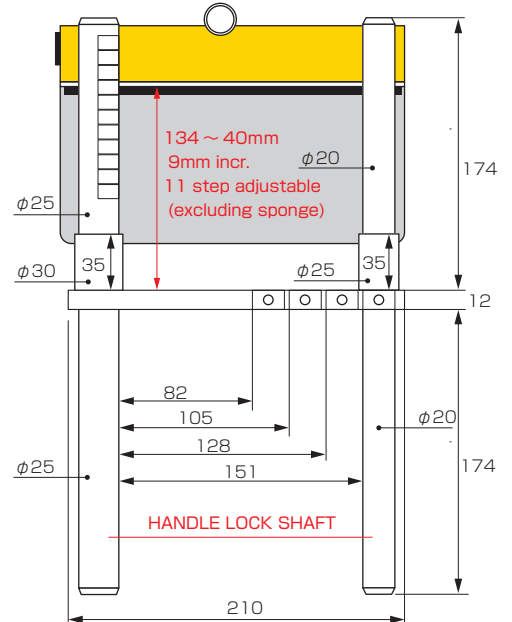
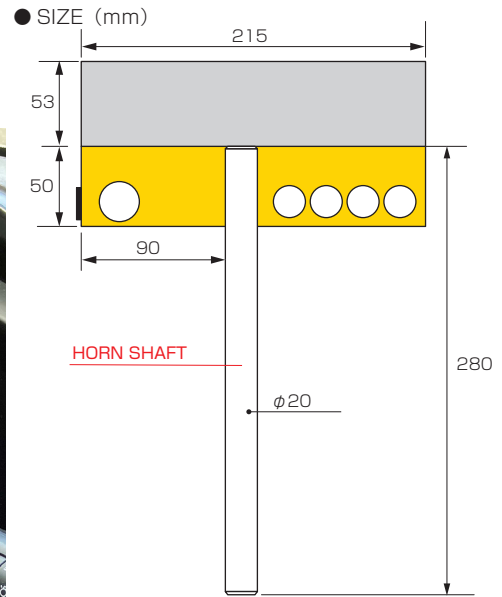
**PERFECT PICKING MEASURES
ABLOY KEY CYLINDER**

Abloy's key cylinders (Finland) are highly regarded as standard cylinders for nuclear power plants and famous museums in Europe.

HANDLE CUT PREVENTION PLATE

PHOTO : LEXUS RZ450e

FOR ANY TYPE OF VEHICLE, INCLUDING COMPACT CARS, PASSENGER CARS, LUXURY CARS & ONE-BOX CARS !!



LIGHTWEIGHT MODEL



Kitaco original installing way, Kitaco steering sand lock style. 24mm increments for width (4 patterns) and 9mm increments for height (11 patterns) adjustable.

STEERING LOCK KML-LIGHT

CODE	PRICE
881-1000550	¥53,000

- UPPER BRACKET : SUPER DURALUMIN STEEL YELLOW BURNING PAINT FINISH
- UNDER BRACKET : SPECIAL ALLOY STEEL
- HORN SHAFT : φ 20 HARD DURALUMIN STEEL
- HANDLE LOCK SHAFT : φ 20 / φ 25 HARD DURALUMIN STEEL
- HANDLE CUT PREVENTION PLATE : STEEL WITH BLACK PAINT : 3 mm thick
- INSTALLING RANGE : WIDTH 4 PATTERNS (82/105/128/151mm)
THICKNESS 11 PATTERNS (40/49/59/68/77/87/96/106/115/124/134mm)
- KEY CYLINDER : MADE FROM ABLOY (SENTRY)
- 2 KEYS INCLUDED (SPARE KEY INCL.) ● WEIGHT : 3.3kg
- SHAFT COVER INCL. ● 3mm THICK HEX WRENCH INCL.

APPLICATION

LEXUS LX570/600 · RZ450e · LS · RX · NX · IS · ES · CT · UX etc.

TOYOTA

LAND CRUISER (300 SERIES) · ALPHARD/VELLFIRE (30 SERIES) · LAND CRUISER PRADO · PRIUS (60 SERIES) · HARRIER (80 SERIES) · VOXY (90 SERIES) · ALPHARD/VELLFIRE (40 SERIES) etc.

※ THE SIZE OF VARIABLE PATTERNS IS THE SIZE WITHOUT SHAFT COVER.
○ KEY SERIAL NUMBER IS PRINTED ON SERIAL CARD, WHICH IS REQUIRED WHEN MAKING SPARE KEY. PLEASE KEEP IT IN SAFE PLACE.