



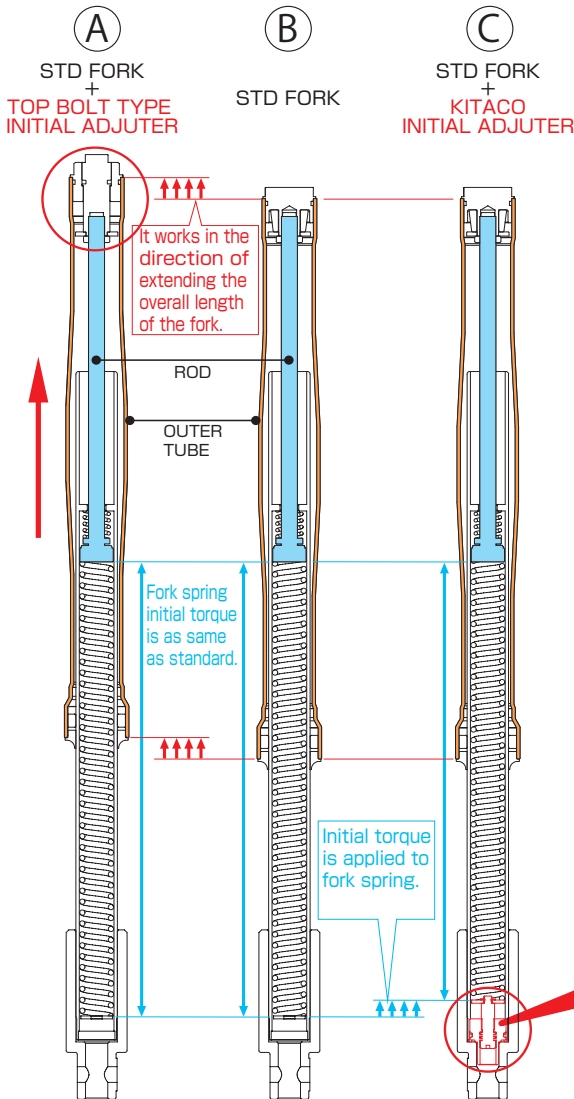
STEERING RELATED PARTS

GROM, MONKEY125, DAX125etc.

INITIAL ADJUSTER SET FOR GROM FRONT FORK !



For front fork settings after rear suspension replacement and leg settings during sports driving. Initial adjuster that allows you to adjust the preload of the front fork spring. The main body is plated with steel.



INITIAL ADJUSTER SET

CODE	PRICE
502-1432100	¥6,800
<ul style="list-style-type: none"> ● STEEL WITH CHROME FINISH ● INITIAL ADJUST RANGE : 0 ~ 12 mm ● O-RING INCL. ● SOLD IN PAIRS 	
APPLICATION	GROM (JC61/JC75/JC92)、MONKEY 125 (JB02/JB03)、DAX125 (JB04) etc.

- ※ Special tool, spring replace tool is required.
- ※ Vice, gas burner, screw lock agent required.
- ※ This is a part that can not be disassembled according to the maker's service manual. So, any replacement work should be done by a professional with special knowledge.
- ※ Removing axle shaft is required.



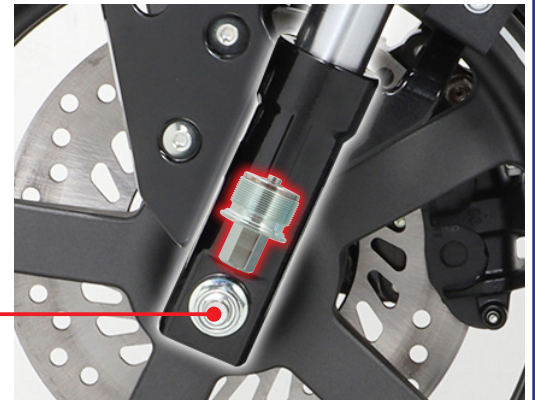
SPRING REPLACE TOOL
CODE : 674-1432500
PRICE : ¥8,000



SCREW LOCK AGENT (HIGH-INTENSITY)
CODE : 0900-969-00260
PRICE : ¥680

Why is the Kitaco initial adjuster located on the bottom case side (lower side) instead of the top bolt side?

Kitaco initial adjuster (C) is located on the bottom case (lower side), and since the fulcrum is fixed, the spring can be pushed directly, so the initial can be hung and the overall length of the fork will not increase without intension.



Removing axle shaft to adjust initial rebound is required.

INITIAL ADJUSTER



Main body is steel with chrome finish for strength. With - screwdriver, 1 mm worth of initial torque is applied with one rotation (clockwise).



Initial adjuster from bottom case (left side) view
※ Axle shaft is removed.