



SECURITY RELATED PARTS

FOR ANY TYPE OF VEHICLE, INCLUDING COMPACT CARS,  
PASSENGER CARS, LUXURY CARS & ONE-BOX CARS !!

HANDLELOCK  
KML-02

DON'T LET  
THE HANDLE TURN!

KML-02, fixed type that supports spoke width up to 118 mm (without sponge)

118mm

10 levers

Spoke thickness can be selected from 20mm to 110 mm (10 levels)

Handle guard that prevents the handle and handle mounting part from damages

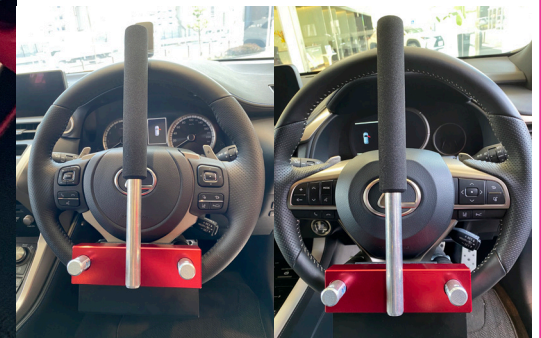


fitting image



LEXUS GS450h

LEXUS LS500



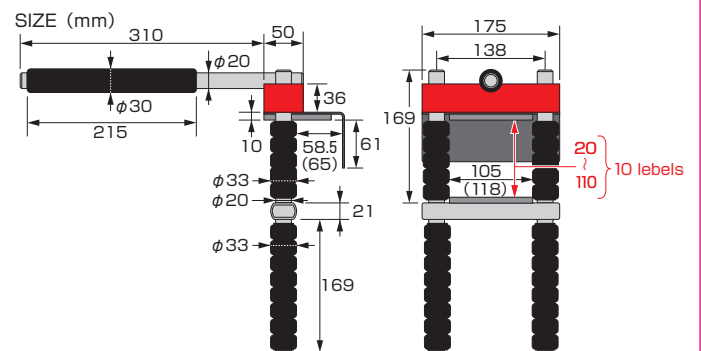
LEXUS NX300

LEXUS RX300

A detent lock for the handle wheel with a strong handle breakage prevention plate that attaches to the spokes of the handle. KML-02 without width adjustment function is also released at the same time.

HANDLE LOCK KML-02

CODE	PRICE
881-1000510	¥36,000
<ul style="list-style-type: none"> <li>● KEY BOX BODY : DURALUMIN ALUMITE FINISH</li> <li>● UPPER CROSS BAR : DURALMIN</li> <li>● BOTTOM BRACKET : STEEL WITH UNI-CHROMATE FINISH</li> <li>● HANDLE GUARD : STEEL WITH BLACK FINISH</li> <li>● INSTALLING RANGE : SPOKE WIDTH / 118mm (W/O SPONGE) 105mm (W SPONGE)</li> <li>SPOKE THICKNESS / 20 ~ 110 mm 10-STEP</li> <li>● WEIGHT : 4.2 kg</li> <li>● KEY : 3 (SPARE KEY incl.)</li> </ul>	



※The number in ( ) is the number with sponge