

N MAX



**SIMPLE & STYLISH!!
WITH/WITHOUT HELMET LOCK
LINE-UP!**

FENDER LESS KIT

TYPE	CODE	PRICE
WITH HELMET LOCK	691-020000	¥7,500
WITHOUT HELMET LOCK	691-0200100	¥9,500

● STAY : ALUMINUM ● BLACK ALUMITE FINISH ● WITH / WITHOUT HELMET LOCK type 2 (BLACK x 1) AVAILABLE

APPLICATION | N MAX (2DS)

PHOTO:691-020000

PHOTO:691-0200100



By cutting stock fender for stylish dress-up. With / without helmet lock available.

※ FENDER CUTTING MODS REQUIRED.



CYGNUS-X (BF9)

**STYLISH!!
ALUMINUM REAR CARRIER!**

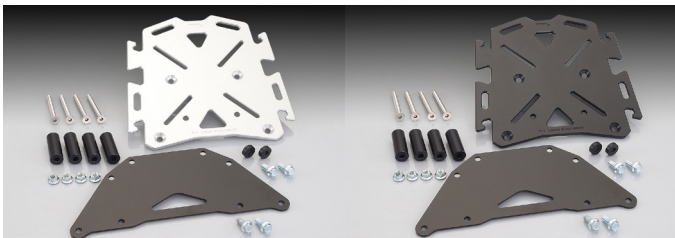


Plate type rear carrier to put rear carrier & baggage. Loading hook can be mounted for tightening.

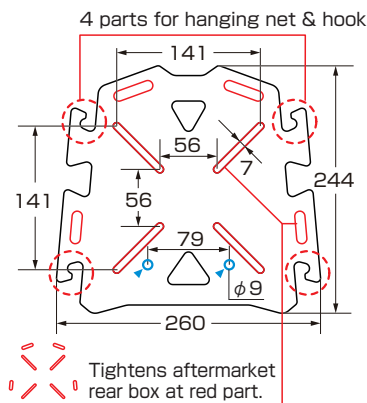
MULTI BILLET REAR CARRIER

COLOR	CODE	PRICE
SILVER	659-0418000	¥15,000
BLACK	659-0418010	¥16,000

● BASE PLATE : STEEL WITH BLACK ALUMITE FINISH ● TOP BOARD : ALUMINUM MACHINED ● ALUMITE FINISH ● AFTERMARKET REAR BOX USABLE ● MAX LOAD : 5.0 kg ● INSTALLING BOLT & COLLORS INCLUDED

APPLICATION | CYGNUS-X SR (BF9)

※ REAR CARRIER OPTION PARTS : BACK REST PAD (CODE : 652-0500010) NOT USABLE
 ※ TANDEM BACK REST NOT USABLE
 ※ TANDEM BAR USABLE



Tightening rear box with net



Installing rear box