

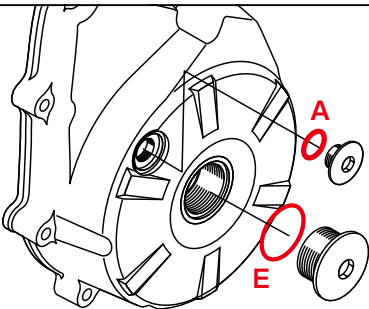
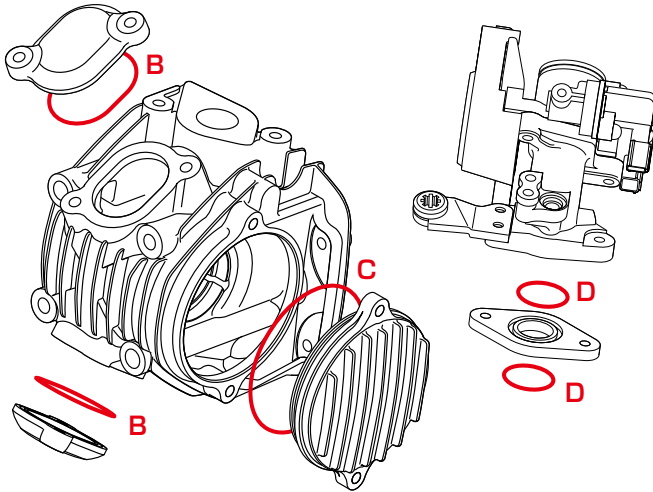


O-RING & GASKET & OILSEAL REPLACEMENT PARTS

THIS TIME, "O-RING, GASKET & OIL SEAL" REPLACEMENT PARTS RELEASED !

K · PIT

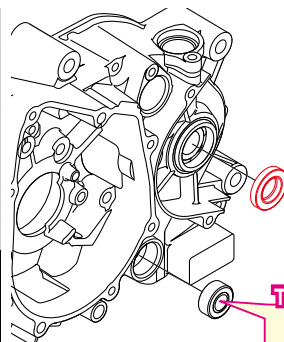
**REPLACEMENT PARTS YOU REQUIRE FOR MAINTENANCE!!
O-RING, GASKET & OIL SEAL NEWLY RELEASED!!**



REPLACEMENT O-RING AS GENUINE
QUALITY & SAME SIZE.
EXCHANGE WITH NEW ONES WHEN
DAMAGED.

O-RING

	TYPE	CODE	SIZE	QTY	PRICE	GENUINE NUMBER / PLACE TO USE
A	OH-16	70-967-31160	13.8 x 2.5	1	¥300	GENUINE NUMBER : 91303-377-000 PLACE TO USE : TIMING HOLE CAP
B	OH-17	70-967-31170	OVAL	2	¥380	GENUINE NUMBER : 91327-KPH-900 PLACE TO USE : TAPPET CAP
C	OH-18	70-967-31180	74.5 x 2.5	1	¥300	GENUINE NUMBER : 91301-PH8-005 PLACE TO USE : L CYLINDER HEAD SIDE COVER
D	OH-19	70-967-31190	29 x 2.4	2	¥800	GENUINE NUMBER : 91304-KPH-700 PLACE TO USE : INTAKE P INSULATOR
E	OH-20	70-967-31200	30	1	¥180	GENUINE NUMBER : 91356-KWV-000 PLACE TO USE : FLYWHEEL NUT CAP



OIL SEAL (OSH-08)

CODE	PRICE
70-967-41080	¥300

● SIZE : I.D. 17 x O.D. 30 x 5 mm THICK ● QTY : 1
GENUINE NUMBER : 91204-KPH-901
PLACE TO USE : COUNTER SHAFT

THERE IS OIL SEAL FOR GEAR SHIFT SPINDLE

OIL SEAL (OSH-03) SIZE : 11.6 x 24 x 10(mm)
70-967-41030 ¥260