

METER PANEL FILM

CODE : 000-1470000

APPLICATION :

MONKEY125 (JB02/03)/DAX125 (JB04)
/CT125 HUNTER CUB (JA65/55)

CODE : 000-0240000

APPLICATION : XSR125 (RE46J) BF1

Thank you for purchasing Kitaco product.
Read and understand the instruction before installing.

ATTENTION (MUST READ)

- This product is for minimize scratches and stains by sticking it on the meter. (cannot be completely protected)
Do not use this for other purposes.
- This product is designed and made exclusive for the application vehicles, do not use other models.
Do not modify the way which is not listed or it will cause damage and trouble.
- We are not responsible for violation of law or damages and accidents caused by assembling mistake and improper setting.
- This instruction sheet is for the instruction for genuine condition.

HOW TO HANDLE WITH FILM (Usage precautions)

- This film is to protect meter panel from scratch, etc, but do not deal with crack by shock, etc.,
- Direct sunlight, use for ages may get discolored, peeling, etc., Please understand when using.
- If you cannot see meter display clearly by scratch, rust for ages, please change the film to new one.
- Flammable: do not use with fire.
- It is able to stick again when installation, but when stick firmly, it cannot stick again.

TOOLS FOR STICK THIS PRODUCT

- SPRAY
- NETURAL DETERGENT WATER (1~2drops : 300~500cc)
- MASKING TAPE

HOW TO STICK

● PREPARATION BEFORE STICK

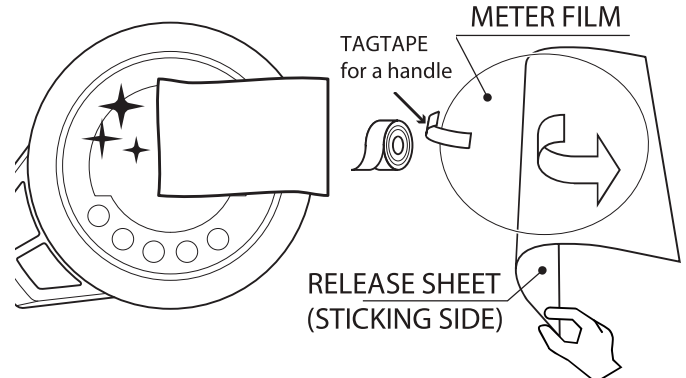
※ Check where to stick the film before doing it.

(We made some 0.5~1.0mm space from outer.)

- 1) Clean the dust, oil content from meter surface.
 - 2) Remove release sheet on the back side (sticking side) of the meter film. (Be careful not to stain finger prints and oil content). For smooth installation, follow a step below to hold the film easily.
- * Lift the film by sticking a tag that made by masking tape, etc., (Do not stick to sticking side)

1, Clean the dust, oil content from meter surface.

2, Remove release sheet.

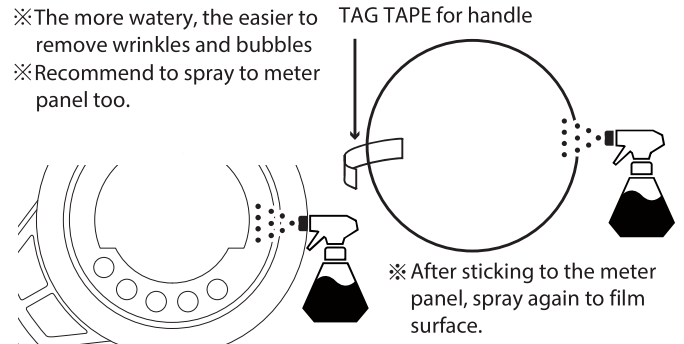


● HOW TO STICK THE FILM : water stick(wet stick)

- 3) Apply detergent water by using spray, etc., to **meter panel and film sticking side**.
- 4) When stick is stable, spray more to the surface, discharge the air bubble and detergent water referring to how to discharge below.

3, WATER STICK (WET STICK)

METER PANEL BACK SIDE (STICK SIDE)
TAG TAPE for handle



● HOW TO DISCHARGE AIR BUBBLE

- 5) After sticking, slide finger, spatula (squeegee etc., from center to outer for discharge remaining air bubble. It is okay to draw circle from center to outer.
- 【ATTENTION】** Be careful not to hold down with hard thing, it cause break, scratch, etc.,

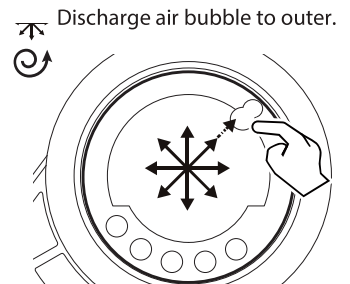
- 6) After sticking, do not touch until a half to one day to be completely stuck.

※ Right after sticking, some cloudiness occurs, but it disappears in 1~2 days.

※ Do not try to stick again and again.

※ If you stick to sphere curve, be careful not to make wrinkles. Please work carefully.

※ According to size of air bubble, it may not remove perfectly. The limit is to be inconspicuous.



220119 Y-H