

## TANK CAP DECAL

CODE	type-1 (Black carbon style) 000-9033150
APPLICATION	(`14 ~ 18 Model / `19 Model ~) YZF-R25 (1WD/B0E1/B3P) / ABS Model (2WD/BS81/B6P/B1X) · YZF-R3 (B02/BR55/B7P/B2X) (`16 ~ 19 Model / `20 Model ~) MT-25 (B1E/B04) / ABS Model (B4W/BGJ) · MT-03 (B05/B0B) / ABS Model (B6W)
GENUINE CODE	TANK CAP BODY ASSEMBLY : BS7-WF461-00 (1WD-WF461-00)

● Thank you for purchasing Kitaco product.

Read and understand the instruction before installing.

### ATTENTION (MUST READ)

- This product is designed and made exclusive for application vehicles, do not use other models.
- We are not responsible for violation of law or damages and accidents caused by assembling mistake and improper setting.
- Please ask authorized mechanic for assembling and setting.
- Refer to the manufacturer service manual when installation.
- This instruction sheet is for the instruction for genuine condition.
- Bolts and nuts may get loosen by engine vibration. Make sure not to loosen any bolts and nuts before driving.
- ※ Metal/resin products get discolored/rust for ages as well as how to use. Please understand when using.

### HOW TO TAKE CARE STICKER

#### ATTENTION WHEN INSTALLING / USING!

- This product is dress-up parts. Cannot perfectly prevent from scratch, etc. Do not use for other purposes.
- Direct sunlight or ages may cause of discolored, peel and aging. Please understand before using.
- FLAMMABLE : Refrain from using in places with fire.
- After stick seal firmly, cannot reuse it.

### HOW TO STICK (Instruction below is just a reference.)

#### ● READY TO INSTALL

- Make sure where to stick by matching tank cap before installation.
- Please do installation with tank cap closed not to enter foreign matter into fuel tank.

1) Clean the dust, grease and wax from installation surface.

#### ● HOW TO STICK SEAL

2) Match to the fuel tank shape, then stick it slowly and lightly following instruction below.

#### ○ HOW TO STICK SEAL : WATER STICK (WET STICK)

Spray water with a little neutral detergent to body (tank cap) sticking surface and seal sticking surface.  
(You can stick without water, but when stick again, it might break or become less cohesive.)

#### ○ HOW TO STICK SEAL : STICK WITHOUT WATER

· By using tape, etc as illustration, hold edge of tape that out of seal, then install temporarily.

· Peel half of release paper (not all of it), decide where to stick, then stick rest of it with pulling rest of release paper. (Be careful not to apply finger print or grease to surface.)

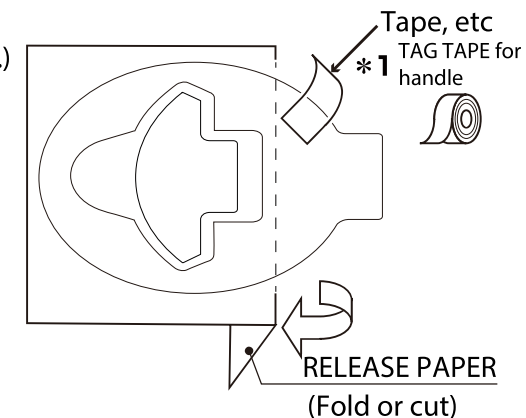
· Make a tag by tape.

(Make the length longer than the seal.)

· Peel half of release sheet and fold or cut it.

\* 1, HOW TO STICK SEAL AGAIN

Easy to pull up seal by using tape tag over the seal.



#### ● HOW TO RELEASE AIR BUBBLE

3) When sticking, slide seal to decide position, stick firmly with release air bubble of the surface to out side.  
【ATTENTION! : Be careful not to hold down with hard thing. It cause of break or scratch.】

※ Slide soft cloth from center to outer for release remaining air bubble and stick firmly. (According to size of air bubble, it may not release perfectly. The limit is to be inconspicuous.)

4) After sticking, do not touch until a half to one day to be completely stucked.



221209  
3-8-13 NAGATA, HIGASHI-OSAKA, OSAKA, JAPAN

株式会社 千代田