

# CONVENIENCE HOOK (K-CON/PRO)

CODE	BAR CLAMP (BLACK) 0901-563-00050	BAR CLAMP (SILVER) 0901-563-00060
APPLICATION	Compatible with $\phi 22.2$ bar and handle. (It might not be installable depending on surrounding parts shape.)	

● Thank you for purchasing Kitaco product. Read and understand the instruction before installing.

## ATTENTION (MUST READ)

- This product is loading hook for light luggage. Do not use for other purposes.
- This product is made for universal, it might not be installable depending on model type. Do not modify the way which is not listed or it will cause damage and trouble.
- We are not responsible for violation of law or damages and accidents caused by assembling mistake and improper setting.
- Please ask authorized mechanic for assembling and setting.
- Refer to the manufacturer service manual when installation.
- Bolts and nuts may get loosen by engine vibration. Make sure not to loosen any bolts and nuts before driving.
- ※ Metal/resin/alumite products get discolored/rust for ages as well as how to use. Please understand when using.

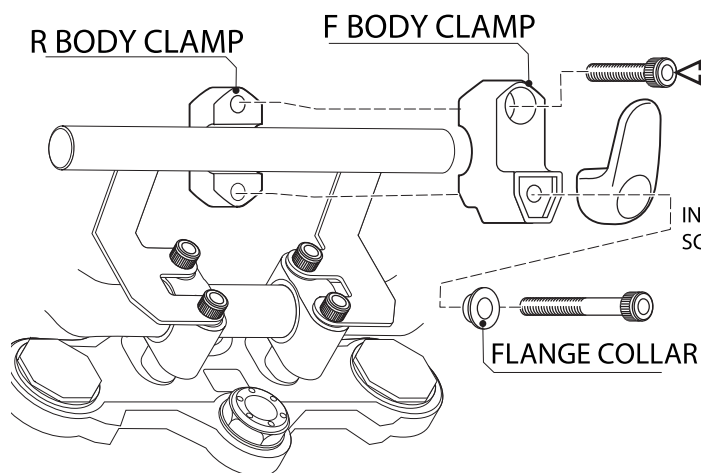
<b>PROHIBITED</b>	If you do not follow below, it might cause of damage and trouble.
	Do not apply excessive force when you use rope or tie to deliver the vehicle.
	Do not overweight on this product. <b>(Weight limit : 0.5kg)</b>
	Do not ride with hanging helmet or over weighted. It might cause of trouble.

<b>ATTENTION</b>	
	Do not use if the hanging luggage prevents the handling before riding.
	We are not responsible for violation of law or damages and accidents caused by falling luggage or overweight.
	If you hook helmet or luggage to convenient hook, it might cause of scratch depending on how to fix it.

BAR CLAMP PACKING LIST			BLACK	SILVER
CODE	NAME		QTY	
563-0900002	LUGGAGE HOOK		1	1
563-9010001BK	F BODY( CLAMP )	BLACK	1	-
563-9010001SL	F BODY( CLAMP )	SILVER	-	1
563-9010002BK	R BODY( CLAMP )	BLACK	1	-
563-9010002SL	R BODY( CLAMP )	SILVER	-	1
093-0900007	FLANGE COLLAR	6x13x2.5L	1	1
060-0500025	CAP BOLT	M6x25	1	1
060-0500045	CAP BOLT	M6x45	1	1

## HOW TO INSTALL

- Install to 22.2 O.D. bar, etc.
- Make sure not to loosen any parts before riding.



※ Tighten bolts firmly from upper side.

F BODY CLAMP SIDE SURFACE

11mm

32mm

31mm

**REQUIRED TOOL**  
Please use hexagon wrench ball point type or short type to tighten upper bolt because it interrupt to surrounding parts.

**BALL POINT**      **SHORT TYPE**

220113



〒 577-0015  
3-8-13

NAGATA, HIGASHI-  
OSAKA, OSAKA, JAPAN

株式会社 キタコ