

L CRANK CASE GUARD

APPLICATION : MONKEY 125 (JB03) / DAX 125 (JB04) / GROM (JC92) / SUPER CUB C125 (JA58)
/ SUPER CUB 110 (JA59) / CROSS CUB 110 (JA60)

CODE

(BLACK) 307-1301550

(SILVER) 307-1301560

Thank you for purchasing Kitaco product. Read and understand the instruction before installing.

■ ATTENTION (MUST READ)

- This product is made for dress up and minimize the damage of crank case cover, etc, when falling. (Cannot prevent completely damage.) Do not use other purposes.
 - This instruction sheet is for the instruction for genuine condition. Refer to the manufacturer service manual when installation.
 - This product is designed and made exclusive for application vehicles, do not use other models. Do not modify the way which is not listed or it will cause damage and trouble.
 - Please ask authorized mechanic for assembling and setting. Ask a specialist at specialty shop if you do not understand the role of the surrounding parts.
 - Bolts and nuts may get loosen by engine vibration. Make sure not to loosen any bolts and nuts before driving.
- ※Metal/resin/alumite products get discolored/rust for ages as well as how to use. Please understand when using.

PACKING LIST (Refer to the figure & illustration below.)				BLACK	SILVER	
FIGURE	NAME	CODE	QTY			REMARK
1	L CRANK CASE GUARD BASE	BLACK	307-1301500BK	1	-	
		SILVER	307-1301500SL	-	1	
2	L CRANK CASE GUARD PLATE	-	1	1		
3	COLLAR	D11x6.2xL22mm	1	1		
4	COLLAR	D11x6.2xL30mm	1	1		
5	CAP BOLT	M6x65	1	1		TORQUE : 10N·m
6	CAP BOLT	M6x75	1	1		TORQUE : 10N·m
7	FLAT HEAD SCREW	M3x7	2	2		TORQUE : 1.5N·m

HOW TO INSTALL

※If there is a hard degradation like a blem, fatigue and wear etc on the reuse parts, please change to new ones.

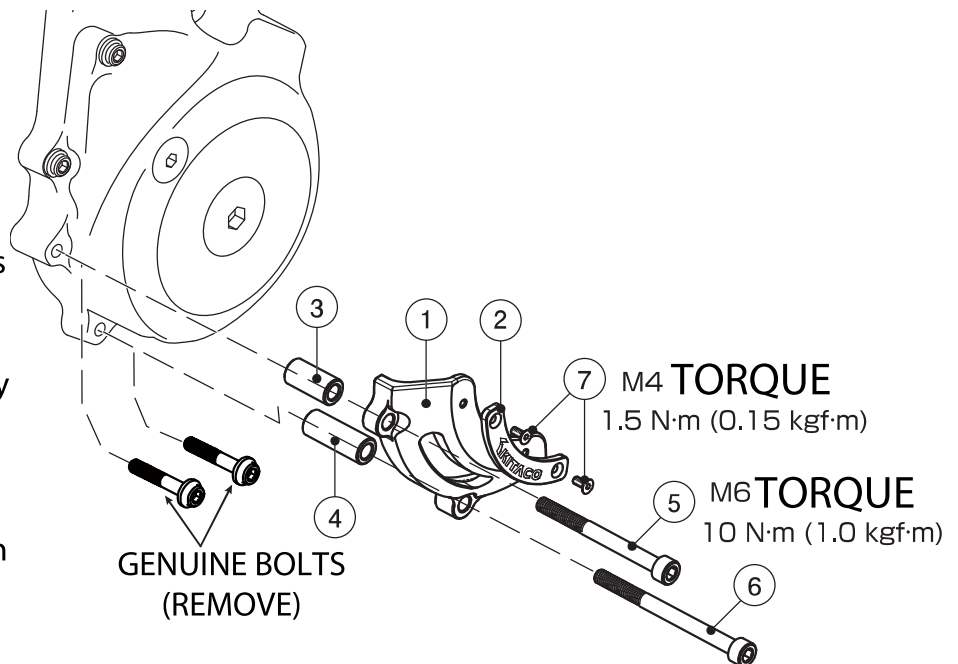
1)Following illustration on the right side, remove L crank case cover 2pcs bolts.

2)Following illustration right side, install L crank case cover temporarily with attached bolts to L crank case.

※Tighten each bolts alternately evenly.

3)Install plate② to Kitaco cover① with attached M4 bolt.

4)After installation, make sure not to loosen any bolts before riding.



220928 M-T

〒 577-0015

3-8-13

KITACO
株式会社キタコ

NAGATA, HIGASHI-
OSAKA, OSAKA, JAPAN