

## SUPER OIL COOLER KIT [3-LAYER/FOR OUR DOHC CYLINDER HEAD]

CODE	360-1133290
APPLICATION	MONKEY · GORILLA FNO,Z50J-2000001 ~ /AB27-1000001 ~ 1899999 (12V CRANKS SHAFT) XR50R/CRF50F AE03ALL MODELS

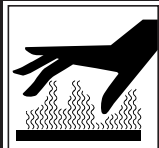
•Thank you for purchasing Kitaco product. Read and understand the instruction before installing.

### ATTENTION(MUST READ)

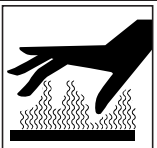
- It is to cool engine oil to avoid heating troubles to cause performance decrement.
- We are not responsible for violation of law or damages and accidents caused by assembling mistake and improper setting.
- Follow this instruction sheet. Do not modify the way which is not listed or it will cause damage and trouble.
- Please ask authorized mechanic for assembling and setting.
- Refer to the manufacturer service manual when installation.
- Bolts and nuts may get loosen by engine vibration.
- This product is designed and made exclusive for application models, do not use other models.



**FLAMMABLES**  
Inflammable high oil is used during operation. Using products causing fire or smoke is strictly prohibited.



Engine oil is very hot during and after engine operation, so start work when the engine oil is cool enough (oil is hot even if the surface is cool).



Cylinders, crankcases, mufflers, etc. are very hot during and after engine operation and should not be touched carelessly.



This instruction sheet is for the person who has basic knowledge for maintenance. Do not operate if you do not have skill and knowledge.

PACKING LIST (Please match the number in the drawing against to proceed with)				
	APRT NAME	CODE	QTY	REMARKS
C1	OIL COOLER [3-LAYER CONDENSOR]	360-0500100	× 1	
C2	HOSE BAND (10 ~ 16)	995-0500016	× 2	
C3	OIL HOSE (60cm)	991-0000060	× 1	
C4	UNION NIPPLE (BULE)	990-0900900	× 2	
C5	UNION BOLT (RED)	771-0900900	× 2	15N · m (1,5kgf · m)
C6	10mm BANJIO ALIUMINUM WASHER	771-0500999	× 4	
D1	CONDENSER STAY	330-1083105	× 1	
D2	M6×25 TRUSS BIS	066-0500025	× 2	12N · m (1,2kgf · m)
D3	WASHER (6.5 × 16 × 1.6)	090-0907006	× 4	
D4	GROMEET COLLAR	093-0900003	× 2	
D5	GROMMET	752-9998099	× 2	
D6	U BOLT	060-0571064	× 1	
D7	M6 WASHER	090-0900006	× 2	
D8	M6 NUT	001-0500006	× 2	12N · m (1,2kgf · m)
E1	M5×10 CAP BOLT	050-0500010	× 1	
E2	M5 NUT	001-0500005	× 1	5N · m (0,5kgf · m)

130718 K-Y



https://www.kitaco.co.jp/

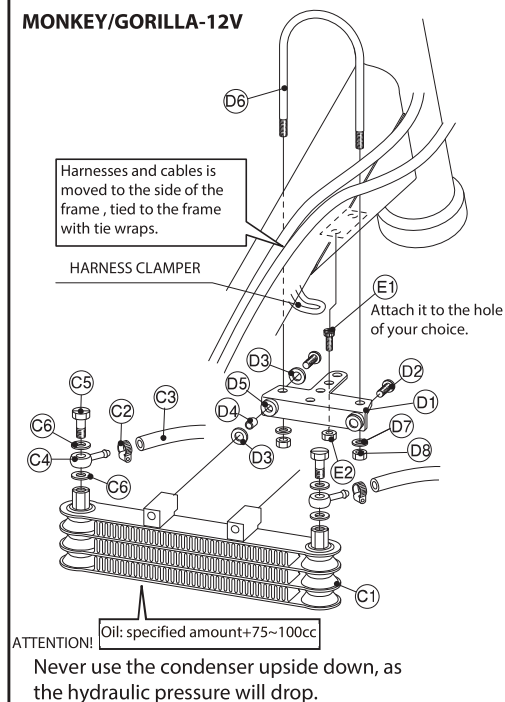
### Oil line on the right side of the DOHC cylinder head

Connect the oil cooler hose to the union nipple attached to the cylinder head and use it as an oil cooler outlet.

### CONDENSER MOUNTING (MONKEY/GORILLA-12V)

1. Remove the frame clamber and tie them to the frame with tie-wraps, etc.
  2. Temporarily tighten the union bolt, union nipple, and aluminum washer to the oil plate.
  3. Install condenser stay with the supplied M5 cap bolt and M5 nut. Attach the condenser stay with the supplied U-bolt, M6 nut, and flat washer.
  4. Install condenser to the condenser stay with the truss bolts.
  5. Cut the oil hose to an appropriate length and connect the condenser to the outlet unit with the hose band.
  6. Add 75~100 cc of the engine oil and start the engine.
- ※Adjust the direction of the union nipple and tighten the union bolts.
- ※When starting the engine, do not blow the engine suddenly.

### MONKEY/GORILLA-12V



### CONDENSER MOUNTING (XR50R/CRF50F)

1. Relocate The main switch & stay on the frame. (Stays must be machined.)
  2. Temporarily tighten the union bolt, union nipple, and aluminum washer to the oil plate.
  3. Attach the condenser stay with the supplied U-bolt, M6 nut, and flat washer.
  4. Install condenser to the condenser stay with the truss bolts.
  5. Cut the oil hose to an appropriate length and connect the condenser to the outlet unit with the hose band.
  6. Add 75 ~100 cc of the engine oil and start the engine.
- ※Adjust the direction of the union nipple and tighten the union bolts.
- ※Check if the OIL cooler is obstructing the steering wheel, and if it interferes with the OIL cooler, adjust the OIL cooler to a position where it does not interfere with the steering wheel.
- ※When starting the engine, do not blow the engine suddenly.

### XR50R/CRF50F

