

SHROUD STAY SET No.1 /1		CODE : 360-1432190
APPLICATION	GROM (JC61/75)	
REMARK	Removing stock air cleaner is required. Please use UNI filter kit (515-1432100) instead. Recommend to deal with oil catch tank, breather filter, etc for blowby gas crank case breather hose.	

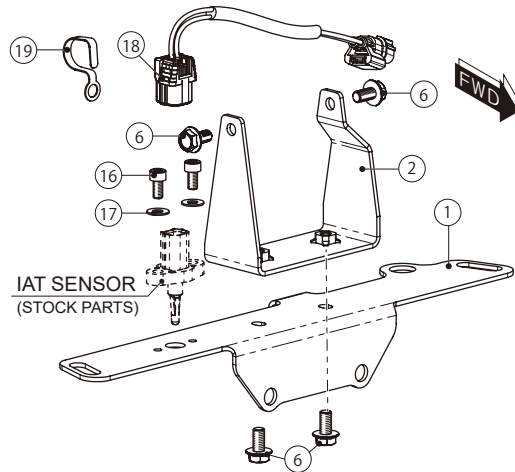
•Thank you for purchasing Kitaco product. Read and understand the instruction before installing.

ATTENTION (MUST READ)

- This product is designed and made exclusive for application models, do not use other models. Do not modify the way which is not listed or it will cause damage and trouble.
- We are not responsible for violation of law or damages and accidents caused by assembling mistake and improper setting.
- Do not modify the way which is not listed or it will cause damage and trouble.
- Please ask authorized mechanic for assembling and setting. Ask a specialist at specialty shop if you do not understand the role of the surrounding parts.
- Refer to the manufacturer service manual when installation.
- Bolts and nuts may get loosen by engine vibration. Make sure not to loosen any bolts and nuts before driving.
- This product is designed and made exclusive for application models, do not use other models.
- ※Metal/resin/alumite products get discolored/rust for ages as well as how to use. Please understand when using.

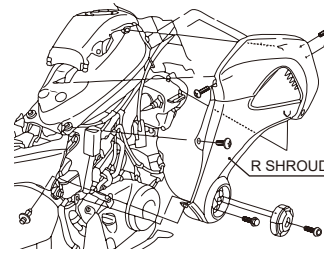
PACKING LIST			
FIGURE	NAME	CODE	QTY
1	SHROUD STAY A	403-1432900	x1
2	SHROUD STAY B	403-1432910	x1
6	FLANGE HEXAGON BOLT M6x12	062-0561012	x4
16	CAP BOLT M5x10	050-0500010	x2
17	FLAT WASHER 5x12x1.0mm	090-0900005	x2
18	IAT EXTENSION HARNESS for intake air temperature sensor	515-1300103	x1
19	HARNESS CLIP	0900-751-09002	x1

*Basically, reuse stock parts if it is unattached.
If there is a hard degradation like a blem, fatigue and wear etc on the reuse parts, please change to new ones.

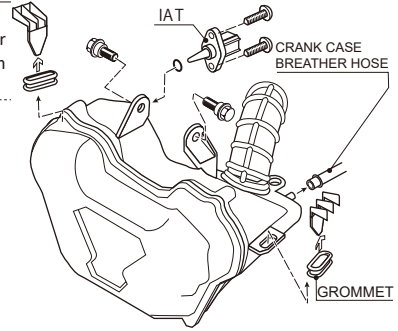


REMOVING AIR CLEANER CASE AND SURROUNDING PARTS

1-1 Refer to the service manual, remove L/R shroud not to break cover claws.
(Illustration is right side)



1-2 Remove air cleaner case. Remove intake air temperature (IAT) sensor and crank case breather hose from air cleaner case.
※ Reuse intake air temperature (IAT) sensor and grommet.

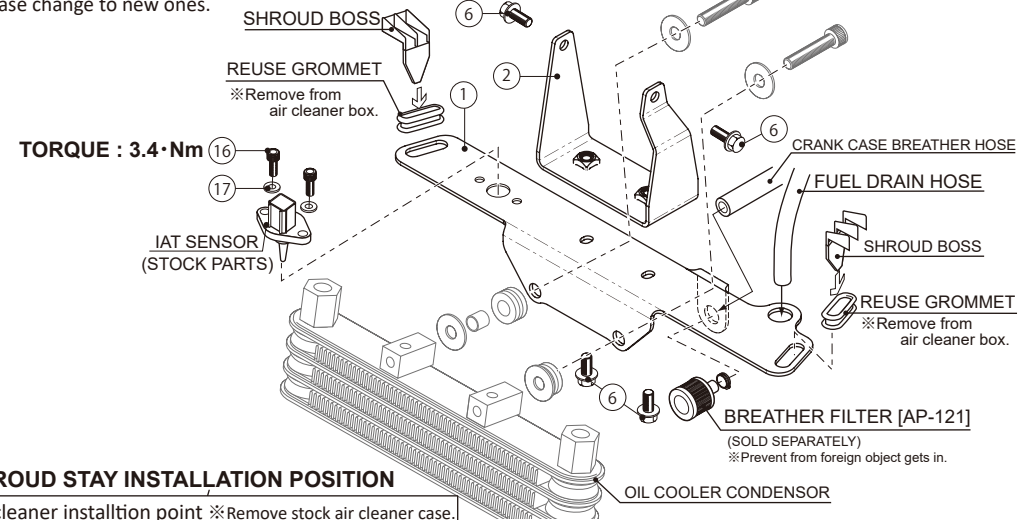


INSTALLING SHROUD STAY

- 2-1 Install condensor (shroud) stay with attached bolt to air cleaner case installation position.
TORQUE : 10N·m(1.0kgf·m)
- 2-2 Install intake air temperature (IAT) sensor to condensor stay, then connect extension harness.
(Fix hang down harness with harness clip) **TORQUE 3.4N·m(0.3kgf·m)**

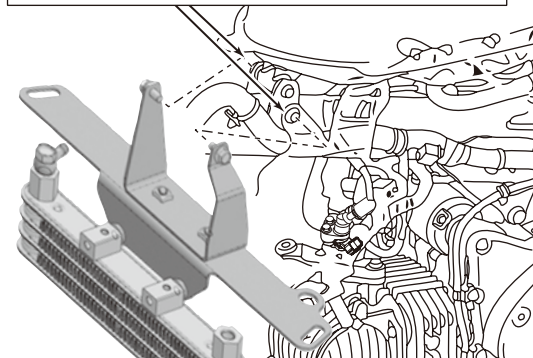
SHROUD STAY DEVELOPED ILLUSTRATION

Illustration only shows shroud stay parts and related ones. Other parts are omitted.
※If there is a hard degradation like a blem, fatigue and wear etc on the stock parts, please change to new ones.



SHROUD STAY INSTALLATION POSITION

Air cleaner installation point ※Remove stock air cleaner case.



230907 M-T