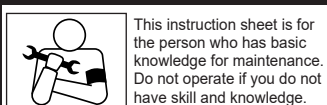


SUPER OIL COOLER KIT (3/5 ROW) UP type (for Kitaco clutch cover / cylinder) No. 1 / 2		
CODE	(3 ROW) 360-1452600	(5 ROW) 360-1452610
APPLICATION	GROM (JC92-1000001 ~ 1099999) ※Kitaco clutch cover / big bore cylinder installed model.	
REMARK	When installing, other filter KIT as air cleaner, etc is needed because of removing genuine air cleaner. Recommend to deal with breather filter , etc for blowby gas crank case breather hose.	

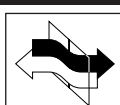
●Thank you for purchasing Kitaco product. Read and understand the instruction before installing.

ATTENTION (MUST READ)

- This product is for racing use only. Use this product with your responsibility.
 - This product is to cool engine oil to avoid heating troubles to cause performance decrement.
 - We are not responsible for violation of law or damages and accidents caused by assembling mistake and improper setting.
 - Follow this instruction sheet. Do not modify the way which is not listed or it will cause damage and trouble.
 - Please ask authorized mechanic for assembling and setting. Ask a specialist at specialty shop if you do not understand the role of the surrounding parts.
 - Refer to the manufacturer service manual when installation.
 - Bolts and nuts may get loosen by engine vibration. Make sure not to loosen any bolts and nuts before driving.
 - This product is designed and made exclusive for application models, do not use other models.
- ※Metal/resin/alumite products get discolored/rust for ages as well as how to use. Please understand when using.



This instruction sheet is for the person who has basic knowledge for maintenance. Do not operate if you do not have skill and knowledge.



Toxic, highly-volatile gasoline is used during operation. Be sure to ventilate the room. Do not operate for hours in a hermetically closed room.



FLAMMABLES
Inflammable high oil is used during operation. Using products causing fire or smoke is strictly prohibited.

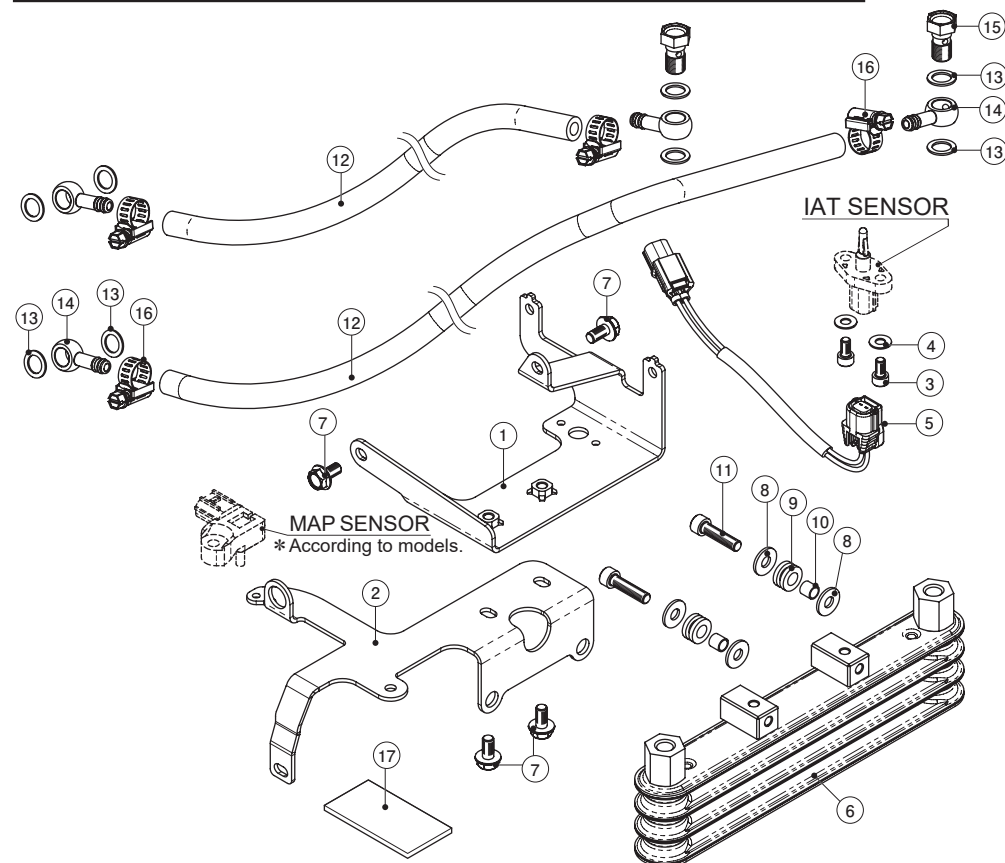


Do not touch the parts (cylinder, crank case, muffler, etc) right after engine operation. Make sure to start installation after the engine parts are completely cool.



Do not check the sparking of spark plug outside of the cylinder. There are dangerousness of explosion.

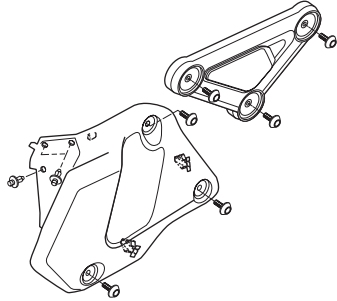
PACKING LIST (Refer to the figure & illustration below.)				3MC	5MC
FIGURE	NAME		CODE	QTY	
1	SHROUD STAY A		360-1452002	x1	x1
2	SHROUD STAY B	CONDENSER STAY	360-1452003	x1	x1
3	CAP BOLT	M5x10	050-0500010	x2	x2
4	FLAT WASHER	5x12x1.0mm	090-0900005	x2	x2
5	IAT EXTENSION HARNESS	FOR INTAKE AIR TEMPERATURE SENSOR	360-1300192	x1	x1
6	OIL COOLER	(3 ROW CONDENSER)	360-0500100	x1	-
		(5 ROW CONDENSER)	360-0500200	-	x1
7	FLANGE HEXAGON BOLT	M6x12	062-0561012	x4	x4
8	FLAT WASHER	6.5x16x1.6mm	090-0907006	x4	x4
9	GROMMET	7.5x9x14x7T	752-9999099	x2	x2
10	GROMMET COLLAR	6.2x7.5xL7	093-0900003	x2	x2
11	CAP BOLT	M6x25	060-0500025	x4	x4
12	OIL HOSE	1000mm	991-0000100	x1	x1
13	ALUMINUM SEALING WASHER	10mm	771-0500999	x8	x8
14	UNION NIPPLE (BLACK)	M10/6mm HOSE	990-0900901	x4	x4
15	ALUMINUM BANJO BOLT (RED)	M10xP1.25	771-0900900	x2	x2
16	HOSE BAND	Φ 8 ~ 12	995-0500012	x4	x4
17	ANTI VIBRATION TAPE (SPONGE)	20x58x3mm	996-0600004	x1	x1
-	MS TIE (BLACK) TIE BAND	152x3.5	700-9200152	x4	x4



SUPER OIL COOLER KIT (3/5 ROW) UP type (for Kitaco clutch cover / cylinder) No.2/2		
CODE	(3 ROW) 360-1452600	(5 ROW) 360-1452610
APPLICATION	GROM (JC92-1000001 ~ 1099999) ※Kitaco clutch cover / big bore cylinder installed model.	
REMARK	When installing, other filter KIT as air cleaner, etc is needed because of removing genuine air cleaner. Recommend to deal with breather filter , etc for blowby gas crank case breather hose.	

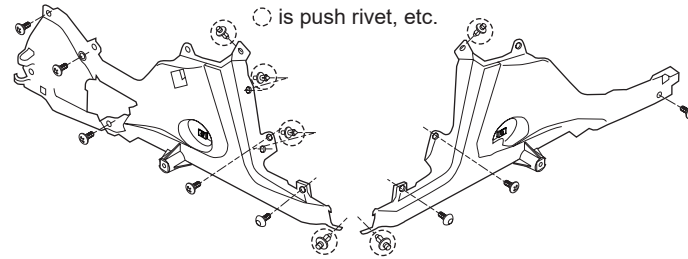
OUTER COWLS REMOVING / INSTALLING

1-1 Remove L/R both side shroud and side cover A.



1-2 Remove L/R both side fuel tank cover.

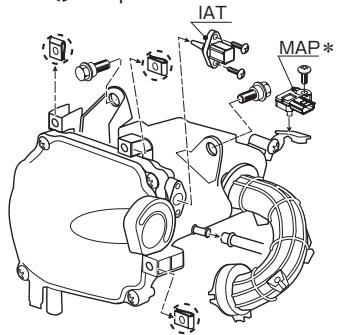
L / LEFT SIDE R RIGHT SIDE



1-3 Remove air cleaner.

※ Reuse intake air temperature (IAT) / intake pressure (MAP) sensor, some of clip nut. (*MAP might not attached according to model.)

○ is clip nut.



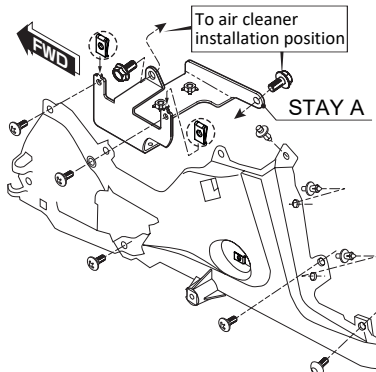
※ Recommend to deal with breather filter, etc for blowby gas crank case breather hose.

INSTALLING SHROUD / CONDENSER STAY

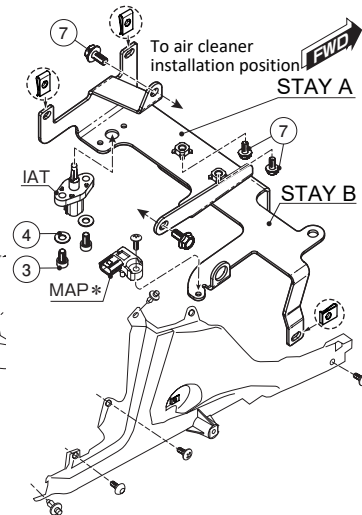
2-1 Install shroud stay A/B (condenser stay) to vehicle air cleaner installation position with ⑦ bolt M6x12. Then install both L/R fuel tank cover to stay with reusing genuine bolts.

※ Install intake air temperature (IAT)/intake pressure (MAP) sensor and clip nut that are removed from air cleaner to predefined place. (*There is no MAP according to model.)

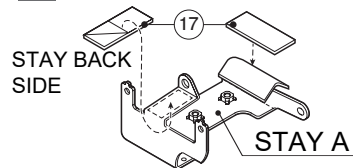
(L COVER SIDE) SHROUD STAY A



(R COVER SIDE) SHROUD STAY A/B

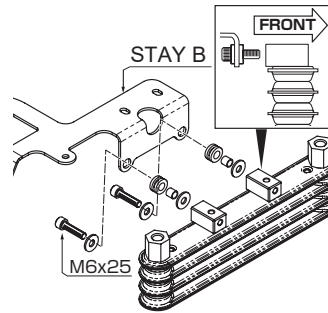


※ Hose and stay might interrupt each other, please measure by attached sponge tape.



INSTALLING OIL COOLER

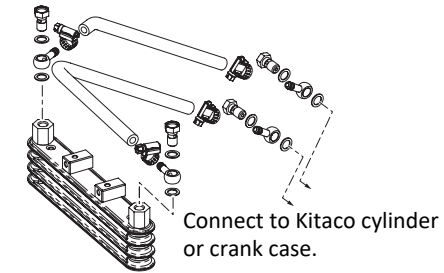
3-1 Refer to the packing list to install condenser, then route oil cooler hose.
TORQUE : 10N•m(1.0kgf•m)



Decide the mounting position, cut the oil hose moderately and connect to the place for taking oil out. Make sure that the oil hose is not touched by muffler or engine.

BANJO BOLT TORQUE : 15N•m(1.5kgf•m)

⚠ Add engine oil (standard amount + 75~100cc) for oil cooler capacity.

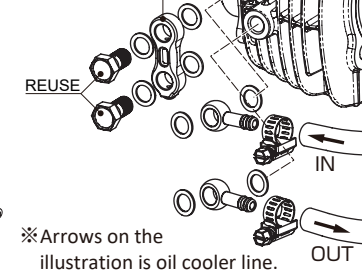


KITACO CYLINDER / CLUTCH COVER OIL LINE (TAKE OUT)

- Remove oil gallery from oil line, then change to attached oil nipple and aluminum washer.
- Tighten bolts and nuts with specified TORQUE below.
- ※ If there is a hard degradation like a blem, fatigue and wear etc on the reuse parts, please change to new ones.

KITACO CYLINDER

OIL GALLERY
(Attached to cylinder)



※ Arrows on the illustration is oil cooler line.

TORQUE		
NAME	QTY	N•m(kgf•m)
BANJO BOLT (REUSE)	2	15 (1.5)

(OPTION PARTS) HOSE SEPERATOR		
RED	993-9000020	
BLACK	993-9000050	
SILVER	993-9000060	

ATTENTION!

※ Do not rev quickly when starting engine. Keep idling before oil goes all inside the cylinder head lubrication,