

UNI FILTER KIT No,1 /1

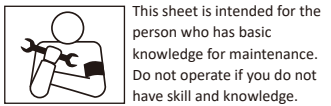
CODE : 515-1320100

APPLICATION	DAX125 (JB04)
REMARK	Removing stock air cleaner connecting tube and change to UNI filter for supply air to engine effectively. ※FI setting is not required in case of stock engine and muffler combination.

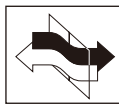
• Thank you for purchasing Kitaco product. Read and understand the instruction before installing.

ATTENTION (MUST READ)

- This product is for racing use only. Note that this parts is not covered under warranty.
 - This product is replacement for stock air cleaner case when installing Kitaco OIL COOLER KIT, etc.
 - We are not responsible for violation of law or damages and accidents caused by assembling mistake and improper setting.
 - Please follow this instruction sheet. Do not modify the way which is not listed or it will cause damage and trouble.
 - Please ask authorized mechanic for assembling and setting. Ask a specialist at specialty shop if you do not understand the role of the surrounding parts.
 - Refer to the manufacturer service manual when installation.
 - Bolts and nuts may get loosen by engine vibration. Make sure not to loosen any bolts and nuts before driving.
 - This product is designed and made exclusive for application models, do not use other models.
- ※ Metal/resin/alumite products get discolored/rust for ages as well as how to use. Please understand when using.



This sheet is intended for the person who has basic knowledge for maintenance. Do not operate if you do not have skill and knowledge.



Toxic, highly-volatile gasoline is used during operation. Be sure to ventilate the room. Do not operate for hours in a hermetically closed room.



FLAMMABLES
Inflammable high oil is used during operation. The use of products causing fire or smoke is strictly prohibited.



Do not touch the engine parts (cylinder, crankcase, muffler, engine oil, etc) right after engine operation. Make sure to start the installation after the engine parts are completely cool.

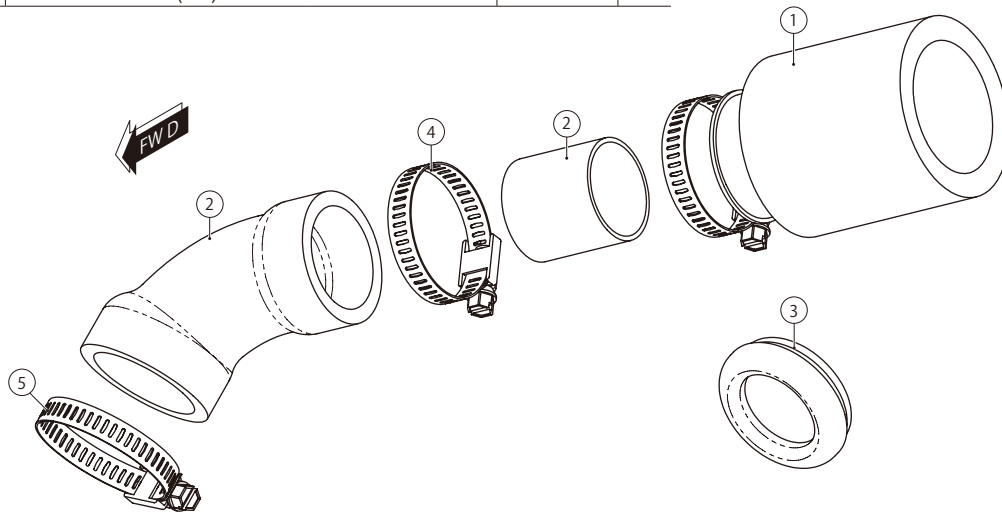


Do not spark the plug outside of cylinder for spark check. It might cause of fire.

PACKING LIST

FIGURE	NAME		CODE	QTY
1	UNI FILTER (Φ35)	PK-4E	515-1100000	x1
2	SILICONE HOSE	UNI /DAX125	515-1320101	x1
	JOINT PIPE	Φ 35	515-1300102	(x1)
3	GROMMET	Φ 38	515-1320102	x1
4	STAINLESS BAND (W9)	30-45mm	995-0500045	x1
5	STAINLESS BAND (W9)	32-50mm	995-0500050	x1

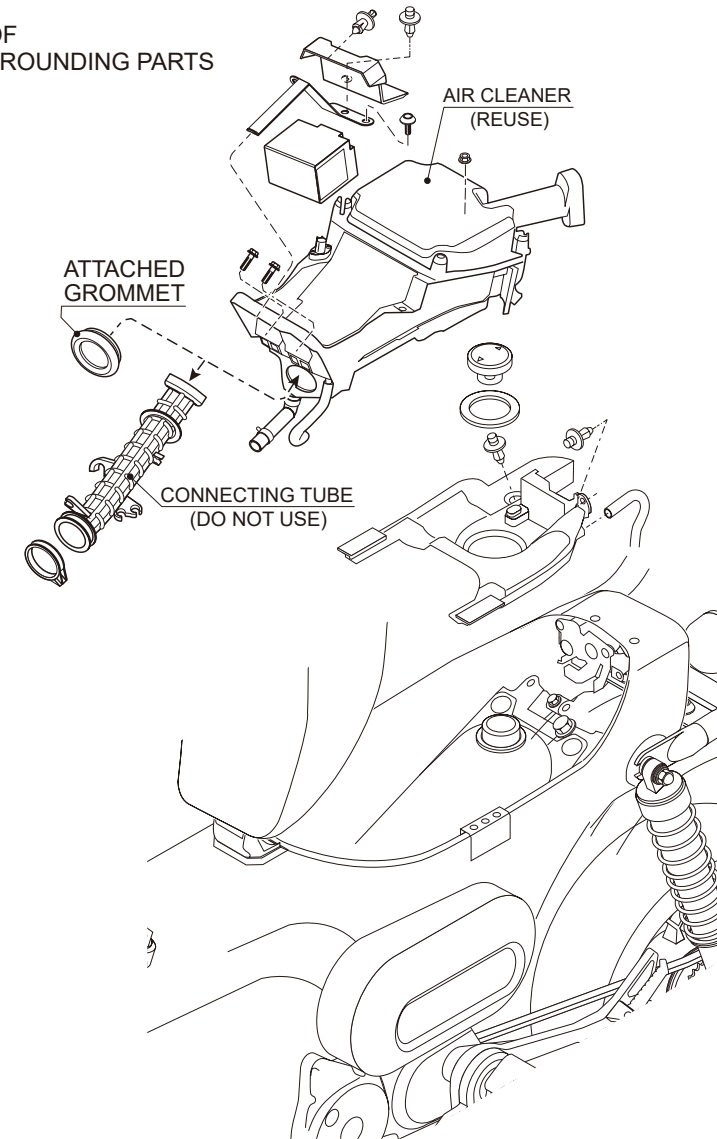
※ Basically, reuse genuine parts if it is unattached. If there is a hard degradation like a blem, fatigue and wear etc on the reuse parts, please change to new ones.



POINT :
FI setting is not required in case of stock engine and muffler combination.

DEVELOPED ILLUSTRATION OF AIR CLEANER CASE AND SURROUNDING PARTS

- 1 Remove fuel tank tray and battery to remove connecting tube from air cleaner case. (Refer to the illustration.)
- 2 Install attached grommet to air cleaner case instead of removed connecting tube. (Refer to the illustration.)
- 3 Put air cleaner case back and install the other removed parts.



230929 M-T



3-8-13 NAGATA,
HIGASHI-OSAKA,
OSAKA, JAPAN