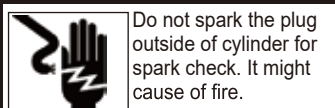
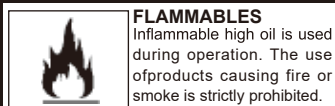
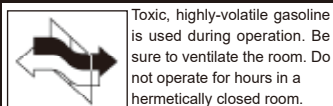
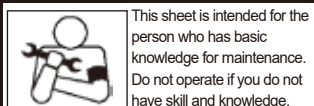


UNI FILTER KIT No.1/1		CODE : 515-1439100
APPLICATION	SUPER CUB110 (JA44)	
REMARK	By changing UNI filter to improve air intake efficiency for engine. *FI setting is not required in case of stock engine and muffler combination.	

● Thank you for purchasing Kitaco product. Read and understand the instruction before installing.

ATTENTION (MUST READ)

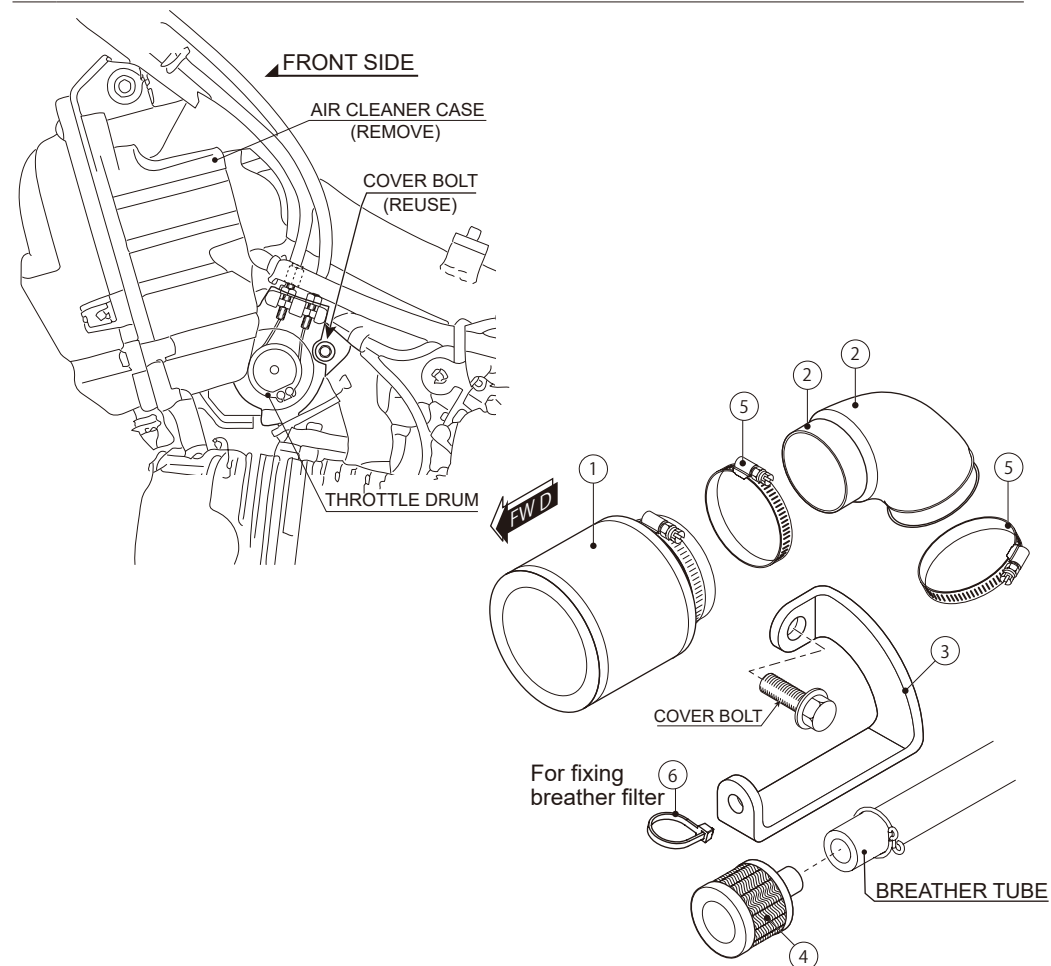
- This product is for racing use.
- This product is replacement for stock air cleaner case when installing Kitaco OIL COOLER KIT, etc.
- We are not responsible for violation of law or damages and accidents caused by assembling mistake and improper setting.
- Please follow this instruction sheet. Do not modify the way which is not listed or it will cause damage and trouble.
- Please ask authorized mechanic for assembling and setting. Ask a specialist at specialty shop if you do not understand the role of the surrounding parts.
- Refer to the manufacturer service manual when installation.
- Bolts and nuts may get loosen by engine vibration. Make sure not to loosen any bolts and nuts before driving.
- This product is designed and made exclusive for application models, do not use other models.
- ※ Metal/resin/alumite products get discolored/rust for ages as well as how to use. Please understand when using.



PACKING LIST				
FIGURE	NAME		CODE	QTY
1	UNI FILTER (Φ35)	PK-4E	515-1100000	x1
2	SILICONE HOSE	UNI /C110	515-1439101	x1
	JOINT PIPE	Φ35	515-1300102	(x1)
3	BREATHER FILTER STAY	C110	515-1439102	x1
4	BREATHER FILTER	AP-121	515-3010121	x1
5	STAINLESS BAND (W9)	30-45mm	995-0500045	x2
6	TIE BAND (MS TIE)	100x2.5	700-9200100	x1

HOW TO INSTALL

- ※ Basically, reuse genuine parts if it is unattached. If there is a hard degradation like a blem, fatigue and wear etc on the reuse parts, please change to new ones.
- ※ Removing outer cowls are required to install this product. Refer to the manufacturer service manual when installation.
- Remove outer cowls to remove stock air cleaner case.
- Install ② silicone hose to throttle body joint part. (Refer to the illustration.)
- Install ③ stay to throttle drum cover installation bolt position. Install other parts.
- Install ④ breather filter to breather tube removed from air cleaner, then fix to ③ stay.



POINT :

FI setting is not required in case of stock engine and muffler combination.



231027 M-T
3-8-13 NAGATA, HIGASHI-
OSAKA, OSAKA, JAPAN
<https://www.kitaco.co.jp/>