

UNI FILTER KIT No. 1/1

CODE: 515-1452100

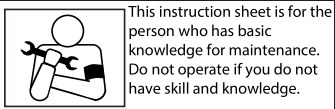
APPLICATION MONKEY125 (JB03) / GROM (JC92)

REMARK This air cleaner is for enable to install Kitaco oil cooler KIT by removing genuine air cleaner box.
※You do not need to fuel adjustment if it is normal engine and genuine muffler combination.

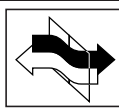
● Thank you for purchasing Kitaco product. Read and understand the instruction before installing.

ATTENTIONS (MUST READ)

- UNI FILTER KIT is for racing use only. Use this product with your responsibility.
- This product is replacement parts for genuine air cleaner case when installing Kitaco OIL COOLER KIT, etc..
- We are not responsible for damages and accidents caused by assembling mistake and improper setting.
- Do not modify the way which is not listed or it will cause damage and trouble.
- Please ask authorized mechanic for assembling and setting. Ask a specialist at specialty shop if you do not understand the role of the surrounding parts.
- Refer to the manufacturer HONDA service manual when installation.
- Bolts and nuts may get loosen by engine vibration.
- UNI FILTER KIT is designed and made exclusive for MONKEY 125 (JB03), GROM(JC92), do not use on other models.
- ※Metal / resin / alumite products get discolored / rust for ages as well as how to use. Please understand when using.



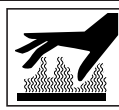
This instruction sheet is for the person who has basic knowledge for maintenance. Do not operate if you do not have skill and knowledge.



Toxic, highly-volatile gasoline is used during operation. Be sure to ventilate the room. Do not operate for hours in a hermetically closed room.



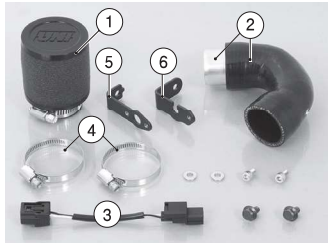
FLAMMABLES
Inflammable high oil is used during operation. he use of products causing fire or smoke is strictly prohibited.



Do not touch the parts(cylinder, crankcase, muffler etc...) right after engine operation. Make sure to start the installation after the engine part are completely cool.



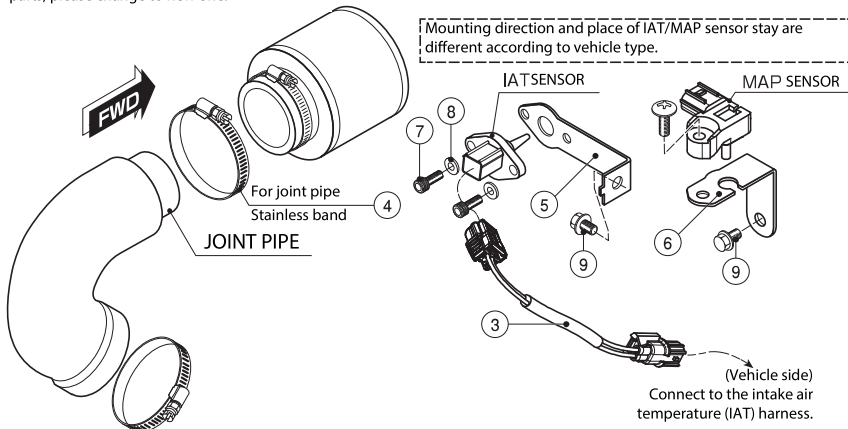
Do not check the sparking of spark plug outside of the cylinder. There are dangerousness of explosion.



※Basically, reuse genuine parts if it is not attached. If there is a hard degradation like scratch, settling, friction, etc... on the reuse parts, please change to new one.

PACKING LIST (Refer to the figures & illustration right side)

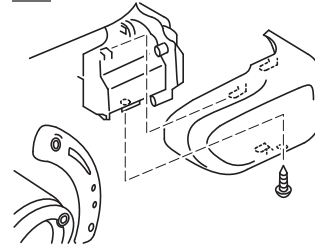
FIGURE	NAME	CODE	QTY
1	UNI FILTER (Φ 35)	PK-4E	515-1100020 x1
2	SILICON HOSE JOINT PIPE	UNI/GROM21 Φ 35	515-1452101 x1 515-1300102 (x1)
3	FOR INTAKE AIR SENSOR EXTENSION HARNESS	FOR UNI FILTER	360-1300192CN x1
4	STAINLESS BAND (W9)	32-50mm	995-0500050 x2
5	(IAT) SENSOR STAY	(INTAKE AIR) STAY	515-1452103 x1
6	(MAP) SENSOR STAY	(INTAKE PRESSURE) STAY	515-1452104 x1
7	CAP BOLT	M5x10	050-0500010 x2
8	FLAT WASHER	5x12x1.0mm	090-0900005 x2
9	FLANGE HEXAGON BOLT	M6x12	062-0561012 x2



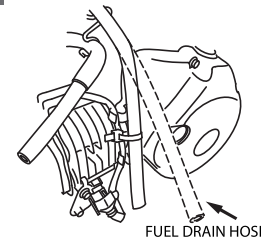
※You do not need to fuel adjustment if it is normal engine and genuine muffler combination.

REMOVING AIR CLEANER CASE AND SURROUNDING PARTS (MONKEY 125)

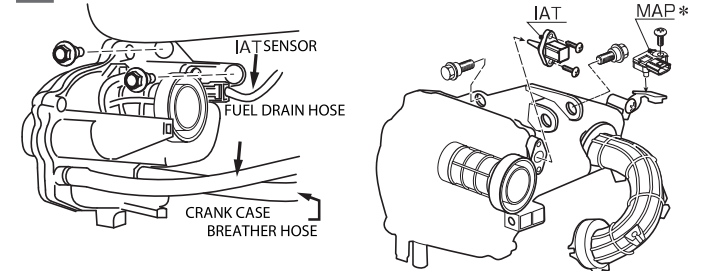
1 Remove garnish by sliding forward from air cleaner case. (Illustration is right side)



3 Tighten the fuel drain hose that removed from air cleaner case with sensor harness by tie wrap.



2 Remove intake air temperature (IAT)/ intake pressure (MAP) sensor, fuel drain hose and crank case breather hose from air cleaner case.
※ Reuse the intake air temperature (IAT) / intake pressure (MAP) sensor and part of clip nut. (※MAP may not exist depending on the vehicle type)



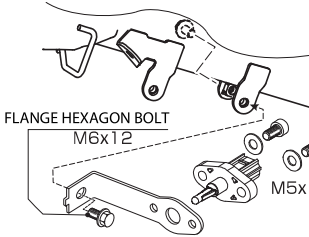
INSTALL INTAKE AIR TEMPERATURE (IAT) / INTAKE PRESSURE (MAP) SENSOR STAY

4 Install intake air temperature (IAT) sensor to stay with attached bolt.
M5 BOLT Tightening torque : 3.4 N-m (0.3 kgf-m)

4-1 MONKEY 125

Install sensor stay to the mounting place where the left side of air cleaner case with attached bolt M6x12.

MONKEY 125 IAT SENSOR STAY MOUNTING PLACE

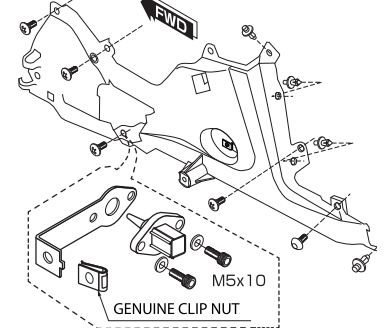


4-1 GROM(JC92)

Install sensor stay to the left side of fuel tank cover with genuine bolt M6.

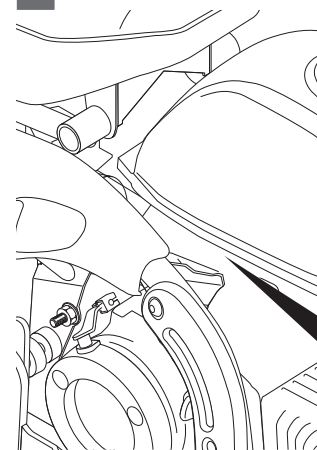
※ Install the clip nut that removed from air cleaner to the predefined place.

GROM (JC92) IAT SENSOR STAY MOUNTING PLACE



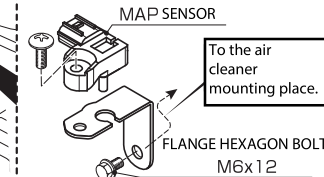
4-2 Install intake pressure (MAP) sensor to stay with genuine bolt. (※MAP may not exist depending on the vehicle type)

4-3 Install sensor stay to the mounting place where the left side of air cleaner case with attached bolt M6x12.

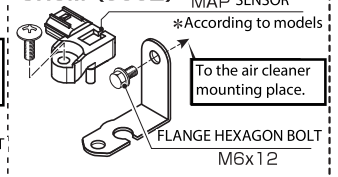


INTAKE PRESSURE (MAP) SENSOR STAY

MONKEY 125



GROM (JC92)



220106 M-T



3-8-13 NAGATA, HIGASHI-OSAKA, OSAKA, 577-0015, JAPAN