


| | | |
|------------------------------|---|--------------------|
| UNI FILTER KIT No.1/1 | | CODE : 515-1471100 |
| APPLICATION | CT125 HUNTER CUB (JA65) | |
| REMARK | By changing UNI filter to improve air intake efficiency for engine. *FI setting is not required in case of stock engine and muffler combination. | |


● Thank you for purchasing Kitaco product. Read and understand the instruction before installing.

ATTENTION (MUST READ)


- This product is for racing use.
 - This product is replacement for stock air cleaner case when installing Kitaco OIL COOLER KIT, etc.
 - We are not responsible for violation of law or damages and accidents caused by assembling mistake and improper setting.
 - Please follow this instruction sheet. Do not modify the way which is not listed or it will cause damage and trouble.
 - Please ask authorized mechanic for assembling and setting. Ask a specialist at specialty shop if you do not understand the role of the surrounding parts.
 - Refer to the manufacturer service manual when installation.
 - Bolts and nuts may get loosen by engine vibration. Make sure not to loosen any bolts and nuts before driving.
 - This product is designed and made exclusive for application models, do not use other models.
- ※ Metal/resin/alumite products get discolored/rust for ages as well as how to use. Please understand when using.



This sheet is intended for the person who has basic knowledge for maintenance. Do not operate if you do not have skill and knowledge.




Toxic, highly-volatile gasoline is used during operation. Be sure to ventilate the room. Do not operate for hours in a hermetically closed room.



FLAMMABLES
Inflammable high oil is used during operation. The use of products causing fire or smoke is strictly prohibited.



Do not touch the engine parts (cylinder, crankcase, muffler, etc) right after engine operation. Make sure to start the installation after the engine parts are completely cool.



Do not spark the plug outside of cylinder for spark check. It might cause of fire.

HOW TO INSTALL

※ Basically, reuse genuine parts if it is unattached. If there is a hard degradation like a blem, fatigue and wear etc on the reuse parts, please change to new ones.

※ Removing outer cowls are required to install this product. Refer to the manufacturer service manual when installation.

1 Remove outer cowls to disconnect connecting tube and joint from air cleaner case.

2 Install ③ stay to air cleaner case installation bolt position. Install other parts.

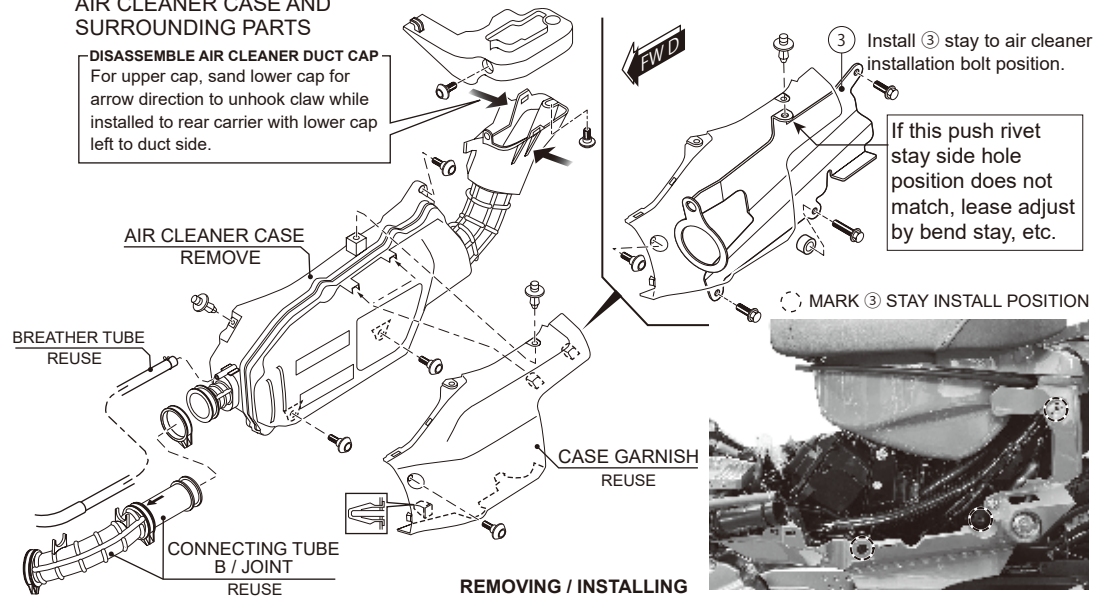
3 Install ② silicone hose to (stock) connecting tube joint position. (Refer to the illustration.)

4 Connect the breather tube removed from air cleaner case to attached ⑤ breather filter, ⑥ connector and ⑦ hose.

| FIGURE | PACKING LIST | | NAME | CODE | QTY |
|--------|------------------------------|------------|------|-------------|------|
| 1 | UNI FILTER (Φ46) | PK-7E | | 515-1100100 | x1 |
| 2 | SILICONE HOSE | UNI /CT125 | | 515-1471101 | x1 |
| | JOINT PIPE | Φ45 | | 515-1471102 | (x1) |
| 3 | STAY | CT125 | | 515-1471103 | x1 |
| 4 | GROMMET | Φ55 | | 515-1471104 | x1 |
| 5 | BREATHER FILTER | AP-121 | | 515-3010121 | x1 |
| 6 | HOSE CONNECTOR (I TYPE / Φ8) | BLACK | | 990-0603080 | x1 |
| 7 | GASOLINE HOSE (GRAY) | 7.0x60 | | 991-9070060 | x1 |
| 8 | STAINLESS BAND (W9) | 30-45mm | | 995-0500045 | x1 |
| 9 | STAINLESS BAND (W9) | 40-60mm | | 995-0500060 | x1 |
| 10 | SPACER COLLAR (BK) | 6.2x18xL15 | | 093-0800045 | x1 |
| 11 | FLANGE HEXAGON BOLT | M6x12 | | 062-0561012 | x2 |
| 12 | FLANGE HEXAGON BOLT | M6x30 | | 062-0561030 | x1 |
| 13 | TIE BAND (MS TIE) | 152x3.5 | | 700-9200152 | x1 |
| 14 | HOSE CLIP (STAINLESS) | Φ12 | | 995-0601112 | x2 |

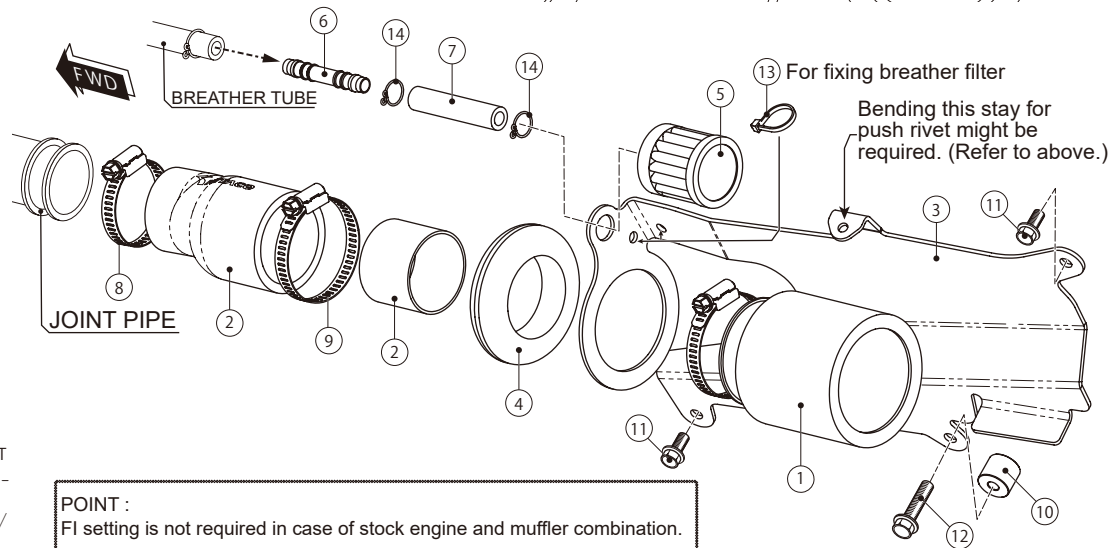
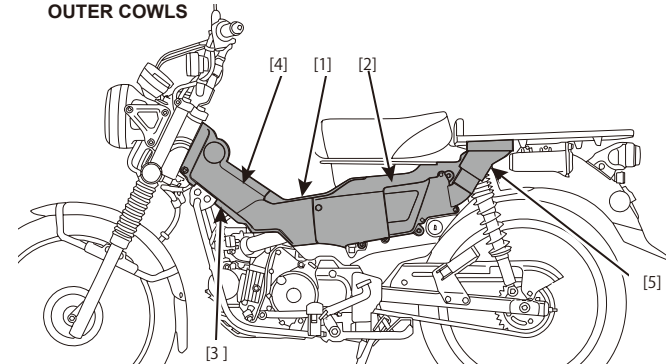
AIR CLEANER CASE AND SURROUNDING PARTS

DISASSEMBLE AIR CLEANER DUCT CAP
For upper cap, sand lower cap for arrow direction to unhook claw while installed to rear carrier with lower cap left to duct side.



REMOVING / INSTALLING OUTER COWLS

| OUTER COWLS PARTS NAME | |
|------------------------|----------------------------|
| [1] | CENTER COVER |
| [2] | AIR CLEANER GARNISH / CASE |
| [3] | MAIN PIPE LOWER COVER |
| [4] | L. MAIN PIPE COVER |
| [5] | AIR CLEANER DUCT CAP |



POINT :
FI setting is not required in case of stock engine and muffler combination.



240119 M-T
3-8-13 NAGATA, HIGASHI-OSAKA, OSAKA, JAPAN
<https://www.kitaco.co.jp/>