

BRAKE FOOT • BIG FOOT			APPLICATION : SUPER CUB C125 (JA48)		
CODE	BRAKE FOOT (RED)	516-1310220	BRAKE FOOT (GUNMETAL GRAY)	516-1310290	
	BIG FOOT (RED)	516-1310920	BIG FOOT (GUNMETAL GRAY)	516-1310990	

● Thank you for purchasing Kitaco product. Read and understand the instruction before installing.

ATTENTION (MUST READ)

- This product is dress-up parts. Do not use for the other purposes.
- This product shape is different from genuine brake pedal. Please ride safely until get used to it.
- This instruction sheet is for the instruction for genuine condition. Refer to the manufacturer service manual when installation.
- This product is designed and made exclusive for application vehicles, do not use other models. Do not modify the way which is not listed or it will cause damage and trouble.
- We are not responsible for violation of law or damages and accidents caused by assembling mistake and improper setting.
- Please ask authorized mechanic for assembling and setting.
- Bolts and nuts may get loosen by engine vibration. Make sure not to loosen any bolts and nuts before driving.
- ※ Metal/resin/alumite products get discolored/rust for ages as well as how to use. Please understand when using.

- If there is a hard degradation like a blem, fatigue and wear etc on the reuse parts, please change to new ones.
- When installation, adjust the big foot base fixing point confirming with brake pedal shape.
- Make sure not to loosen or broken any parts before test ride.

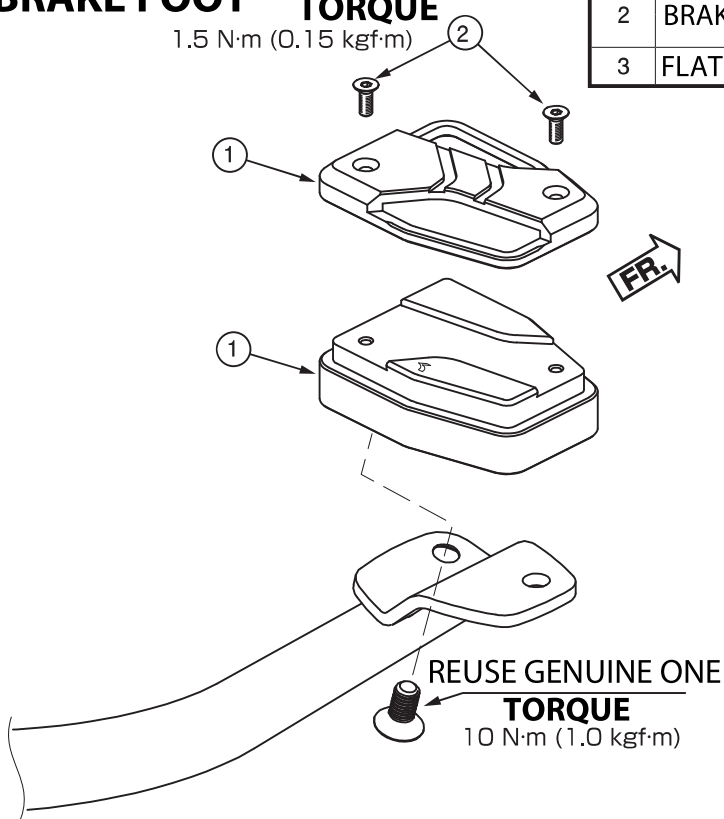
BRAKE FOOT PACKING LIST						
(Refer to the figure & illustration below.)						
FIGURE	NAME	CODE	QTY	REMARK		
1	BRAKE PEDAL TOP	Red	516-1310200RD	1	-	
		GM	516-1310200GM	-	1	
1	BRAKE PEDAL BASE	-	1	1	Black	
2	FLAT HEAD SCREW	M3x10	033-0603010	2	2	

BIG FOOT PACKING LIST						
(Refer to the figure & illustration below.)						
FIGURE	NAME	CODE	QTY	REMARK		
1	BRAKE PEDAL BASE	516-1310901	1	1	Black	
2	BRAKE PEDAL TOP	Red	516-1300902RD	1	-	
		GM	516-1300902GM	-	1	
3	FLAT HEAD SCREW	M3x7	033-0603007	2	2	

BRAKE FOOT

TORQUE

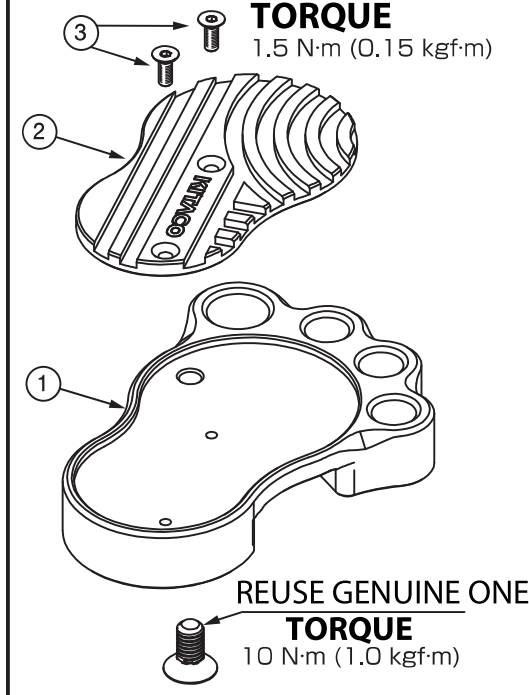
1.5 N·m (0.15 kgf·m)



BIG FOOT

TORQUE

1.5 N·m (0.15 kgf·m)



190607 M-N

KITACO
株式会社 千七

〒 577-0015
3-8-13

NAGATA, HIGASHI-
OSAKA, OSAKA, JAPAN