

TANDEM HOLE COVER SET

APPLICATION

SUPER CUB C125 (JA48/58) / HUNTER CUB CT125 (JA55/65)

CODE

(RED) 516-1310320

(BLACK) 516-1310350

(GUNMETAL GRAY) 516-1310390

● Thank you for purchasing Kitaco product. Read and understand the instruction before installing.

ATTENTION (MUST READ)

- This product is designed and made exclusive for application vehicles, do not use other models. Do not modify the way which is not listed or it will cause damage and trouble.
 - We are not responsible for violation of law or damages and accidents caused by assembling mistake and improper setting.
 - Please ask authorized mechanic for assembling and setting.
 - Refer to the manufacturer service manual when installation.
 - Bolts and nuts may get loosen by engine vibration. Make sure not to loosen any bolts and nuts before driving.
 - This instruction sheet is for the instruction for genuine condition.
- ※ Metal/resin/alumite products get discolored/rust for ages as well as how to use. Please understand when using.

PACKING LIST

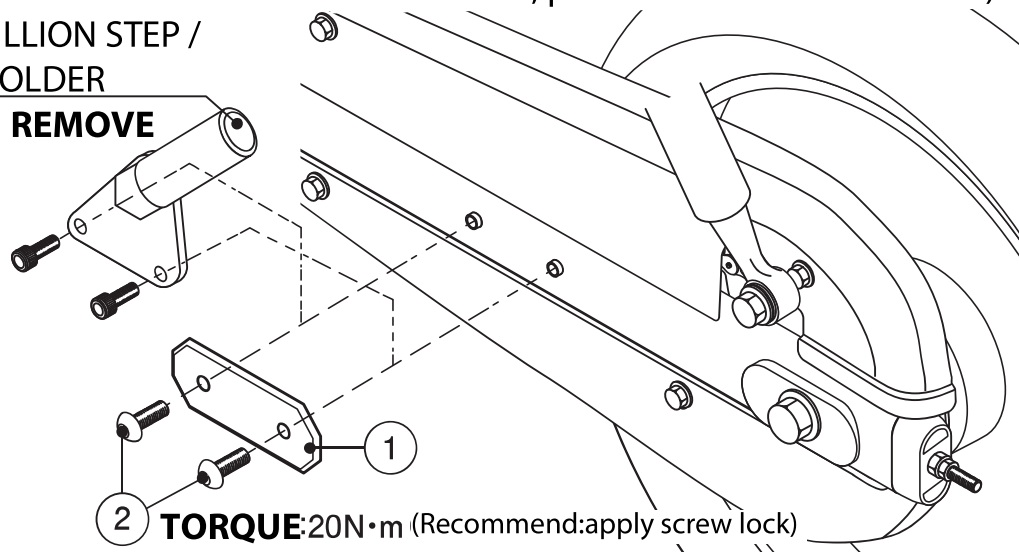
FIGURE	NAME	CODE	QTY
1	TANDEM HOLE COVER (RD/BK/GM)	516-1310301 (RD/BK/GM)	x2
2	BUTTON CAP BOLT M8x15	080-0550015	x4

HOW TO INSTALL

- Tighten with specified torque. (recommend:apply screw lock)
 - Make sure not to loosen any place before riding.
- (Illustration is SUPER CUB C125 L side, please install R side as same.)

PILLION STEP /
HOLDER

REMOVE



TORQUE: 20N·m (Recommend:apply screw lock)

201104 Y-H

KITACO
株式会社 キタコ

〒 577-0015
3-8-13

NAGATA, HIGASHI-
OSAKA, OSAKA, JAPAN