

BACK STEP KIT No.1 /3

Part No. : 516-1432100

APPLICATION : GROM (JC61-1000001~1299999)

- Thank you for purchasing Kitaco product. Read and understand the instruction before installing.
- ※ Please keep the instruction for later needs.

ATTENTIONS (MUST READ)

- Step position will be more backward for racing style, when using KITACO back step kit. Drive carefully, as riding position will be different.
- BACK STEP KIT is designed and made exclusive for GROM, do not use on other models. Do not modify the way which is not listed or it will cause damage and trouble.
- We are not responsible for damages and accidents caused by assembling mistake and improper setting.
- Please ask mechanic for assembling and setting. Ask a specialist at specialty shop if you do not understand the role of the surrounding parts.
- Refer to the manufacturer HONDA service manual when installation.
- Bolts and nuts may get loosen by engine vibration. Please check and make sure each part of bolts and nuts are not loose before running.
- This instruction sheet is for the instruction with stock condition.



This sheet is for the person who has basic knowledge for maintenance. Do not operate if you do not have skill and knowledge.



Do not modify the way which is not listed or it will cause damage and trouble. Please contact a mechanic nearby immediately when you find something unusual.

PACKING LIST (Refer to page 2)

A ↓	Name	Part No.	Qty
A ↓	R PLATE ASSY	516-1432110	× 1
A1	R BASE PLATE	516-1432010	(× 1)
A2	STOP SWITCH STAY	516-1123028	(× 1)
A3	BUTTON CAP BOLT M6 × 8	060-0550008	(× 1)
A4	BUTTON CAP BOLT M6 × 10	060-0550010	(× 2)
A5	RETURN SPRING	516-1123029	(× 1)
A6	R STEP BAR BASE PLATE	516-1432022	(× 1)
A7	CAP BOLT M8 × 25	080-0500025	(× 2)
A8	R HEEL GUARD	516-1432014	(× 1)
A9	COUNTERSUNK CAP BOLT M6 × 35	063-0603035	(× 1)
A10	SPL BOLT M6 × 40	063-0604040	(× 1)
A11	SPACER COLLAR 6.2 × 13 × 8	0900-093-00007	(× 2)
A12	SPRING WASHER 6mm	091-0500006	(× 2)
A13	NUT 6mm	001-0500006	(× 3)
A14	COLLAR Φ 24-35 × 12.2 × 37.5 L	516-1432030	(× 1)
A15	COLLAR Φ 18-25 × 8.5 × 13.5 L	516-1432028	(× 1)
A16	CAP BOLT M8 × 35	080-0500035	(× 1)
A17	BRAKE FLUID HOSE (RESERVOIR SIDE) 200mm	771-9900020	(× 1)
A18	REAR MASTER CYLINDER RESERVOIR STAY	516-1432024	(× 1)
A19	CAP BOLT M6 × 10	060-0500010	(× 1)
A20	FLANGE CAP BOLT M6 × 15	060-0560015	(× 1)
A21	FLANGE LOCK NUT 6mm	001-0550006	(× 1)
B ↓	R PEDAL ASSY	516-1432130	× 1
B1	BRAKE PEDAL COMP	516-1432050	(× 1)
B2	COUNTERSUNK CAP BOLT M4 × 30	043-0603030	(× 1)
B3	LOCK NUT 4mm	001-0559040	(× 1)
B4	STEP BAR 60 × 100mm	516-1417005	(× 1)
B5	STEP END CAP	516-1417014	(× 1)
B6	FLAT WASHER 8 × 14 × 1.0	090-0905008	(× 2)
B7	FLANGE CAP BOLT M8 × 50	080-0560050	(× 1)
B8	PEG RUBBER	516-1123027	(× 1)
B9	L PEG 41mm	516-1123026	(× 1)

	Name	Part No.	Qty
B10	FLAT WASHER 6 × 13 × 1.0	090-0900006	(× 1)
B11	COUNTERSUNK CAP BOLT M6 × 25	063-0600025	(× 1)
C ↓	MASTER CYLINDER PIVOT	-	-
C1	BUTTON CAP BOLT M6 × 40	060-0550040	(× 1)
C2	COLLAR Φ 6.5 × 16.5	516-1432029	(× 1)
C3	BALL END 8mm (Right-hand)	003-0602900	(× 1)
C4	FLANGE LOCK NUT 6mm	001-0550006	(× 1)
D ↓	R TANDEM STEP HOLDER ASSY	516-1432170	× 1
D1	R TANDEM STEP HOLDER	516-1432012	(× 1)
D2	BUTTON CAP BOLT M8 × 20	080-0550020	(× 2)
D3	R TANDEM STEP HEEL GUARD	516-1432019	(× 1)
D4	BUTTON CAP BOLT M6 × 15	060-0550015	(× 2)
D5	TANDEM STEP CLAMP	516-1432020	(× 1)
D6	COUNTERSUNK CAP BOLT M8 × 20	083-0600020	(× 1)
D7	SPACER SHIM 8.5 × 18 × 1.0	090-0602085	(× 1)
D8	SPACER COLLAR 8.2 × 18 × 5	0900-093-00014	(× 1)
D9	COUNTERSUNK CAP BOLT M6 × 25	063-0600025	(× 1)
D10	FLAT WASHER 6 × 13 × 1.0	090-0900006	(× 1)
D11	FLANGE LOCK NUT 6mm	001-0550006	(× 1)
E ↓	L PLATE ASSY	516-1432140	× 1
E1	L BASE PLATE	516-1432011	(× 1)
E2	L STEP BAR BASE PLATE	516-1432023	(× 1)
E3	CAP BOLT M8 × 25	080-0500025	(× 2)
E4	L HEEL GUARD	516-1432015	(× 1)
E5	BUTTON CAP BOLT M6 × 10	060-0550010	(× 2)
E6	COLLAR Φ 24-35 × 12.2 × 18.5L	516-1432031	(× 1)
E7	COLLAR Φ 18-25 × 8.5 × 13.5L	516-1432028	(× 1)
E8	CAP BOLT M8 × 35	080-0500035	(× 1)
F ↓	L PEDAL ASSY	516-1432150	× 1
F1	L PEDAL COMP	516-1432060	(× 1)
F2	STEP BAR 60 × 100mm	516-1417005	(× 1)

HOW TO INSTALL

Stock brake hose might not be long enough depending on the step position and how to reroute. Brake hose (sold separately) is required. Please calculate the length and purchase separately. (Brake fluid : Use Honda specified fluid).

RECOMMENDED OPTION PARTS (Order separately if necessary)	
Name	Part No.
STAINLESS MESH BRAKE HOSE (REAR / BACK STEP) GROM	773-1432290
(Replacement) STF CENTER HOSE	773-9000570
(Replacement) KITACO STAINLESS BRAKE HOSE FITTING A TYPE (0°) MASTER CYLINDER SIDE	773-0000010
(Replacement) KITACO STAINLESS BRAKE HOSE FITTING C TYPE (45°) CALIPER SIDE	773-0000030

※ All the parts built are temporal. Rebuild them using screw lock agent for sure.

- 1) Secure motorcycle body with racing stand. (Take off swing arm pivot bolt and nut.)
- 2) Remove stock step, side stand, shift pedal, brake pedal and rear brake lamp switch. Drain brake fluid from rear brake reservoir tank and remove reservoir hose. (Removing outside plastics required to remove reservoir tank)
- 3) Install both right & left step & pedal. Choose one step position out of 5 positions (A1/E1). (Refer to page 2)
- 4) Install shift rod (G1) and shift cam (G8) on left side step. Install them on shift spindle of motorcycle body. ※ Shift rod nut (G7) touches with outside plastics (chain guard). Please machine the part (Refer to page 3)
- 5) Install brake return spring (A5) on master cylinder (A10) bolt (B2/B3) pedal stopper bolt / nut. ※ Brake return spring might be required to be bent (for length adjustment), depending on pedal angle. (Refer to page 2)
- 6) Insert stock stop lamp switch into stop switch stay (A2). ※ Replace rear brake master cylinder reservoir. Hose slit is required on outside plastics. (Refer to page 3)
- 7) Put on brake fluid in rear brake reservoir tank and remove air completely. Make sure that the rear brake works normally.
- 8) Adjust pedal place, shift feeling, brake touch and fasten bolts tightly.

	Name	Part No.	Qty
F3	STEP END CAP	516-1417014	(× 1)
F4	FLAT WASHER 8 × 14 × 1.0	090-0905008	(× 2)
F5	SPACER OFFSET PIECE	516-1432018	(× 1)
F6	FLANGE CAP BOLT M8 × 50	080-0560050	(× 1)
F7	PEG RUBBER	516-1123027	(× 1)
F8	L PEG 41mm	516-1123026	(× 1)
F9	FLAT WASHER 6 × 13 × 1.0	090-0900006	(× 1)
F10	COUNTERSUNK CAP BOLT M6 × 25	063-0600025	(× 1)
F11	BUTTON CAP BOLT M6 × 20	060-0550020	(× 2)
G ↓	SHIFT LINKAGE SET	516-1432160	× 1
G1	SHIFT ROD 155mm	516-1432021	(× 1)
G2	BALL END 6mm (External thread)(Right-hand)	003-0601000	(× 1)
G3	NUT 6mm	001-0500006	(× 1)
G4	BALL END 6mm (External thread)(Left-hand)	003-0600000	(× 1)
G5	NUT 6mm (Left-hand)	002-0500006	(× 1)
G6	BUTTON CAP BOLT M6 × 25	060-0550025	(× 2)
G7	FLANGE LOCK NUT 6mm	001-0550006	(× 2)
G8	SHIFT CAM C	516-1123038	(× 1)
G9	BUTTON CAP BOLT M6 × 18	060-0550018	(× 1)
H ↓	L TANDEM STEP HOLDER ASSY	516-1432180	× 1
H1	L TANDEM STEP HOLDER	516-1432013	(× 1)
H2	BUTTON CAP BOLT M8 × 20	080-0550020	(× 2)
H3	L TANDEM STEP HEEL GUARD	516-1432019	(× 1)
H4	BUTTON CAP BOLT M6 × 15	060-0550015	(× 2)
H5	TANDEM STEP CLAMP	516-1432020	(× 1)
H6	COUNTERSUNK CAP BOLT M8 × 20	083-0600020	(× 1)
H7	SPACER SHIM 8.5 × 18 × 1.0	090-0602085	(× 1)
H8	SPACER COLLAR 8.2 × 18 × 5	0900-093-00014	(× 1)
H9	COUNTERSUNK CAP BOLT M6 × 25	063-0600025	(× 1)
H10	FLAT WASHER 6 × 13 × 1.0	090-0900006	(× 1)
H11	FLANGE LOCK NUT 6mm	001-0550006	(× 1)

BACK STEP KIT No.2/3

Part No. : 516-1432100

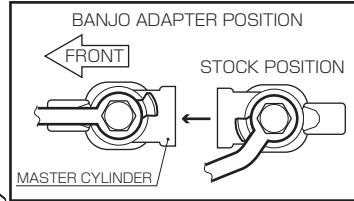
APPLICATION : GROM (JC61-1000001~1299999)

- ※All the parts built are temporal. Rebuild them using screw lock agent.
- Use stock parts if not included in a kit.
- Exchange to new parts if "reuse" parts have scratches, blem and wear.

⚠️ ※ Refer to instructions & illustration

GREASE Apply grease

N·m Tighten with specified torque



⚠️ ATTENTION : REAR BRAKE HOSE

Stock brake hose might not be long enough depending on the step position, how to reroute and chain slider.
Longer brake hose (sold separately) might be required.
Please calculate the length and purchase separately.

OPTIONAL PARTS	
Name	Part No.
STAINLESS BRAKE HOSE (REAR / BACK STEP)	773-1432290

ATTENTION & ADDITIONAL EXPLANATION STEP (BASE PLATE) POSITION

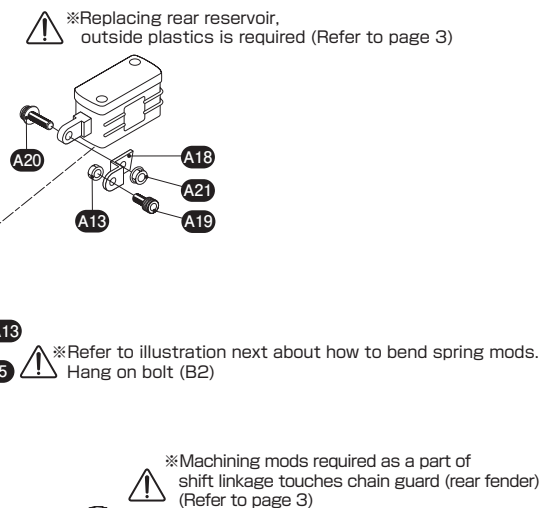
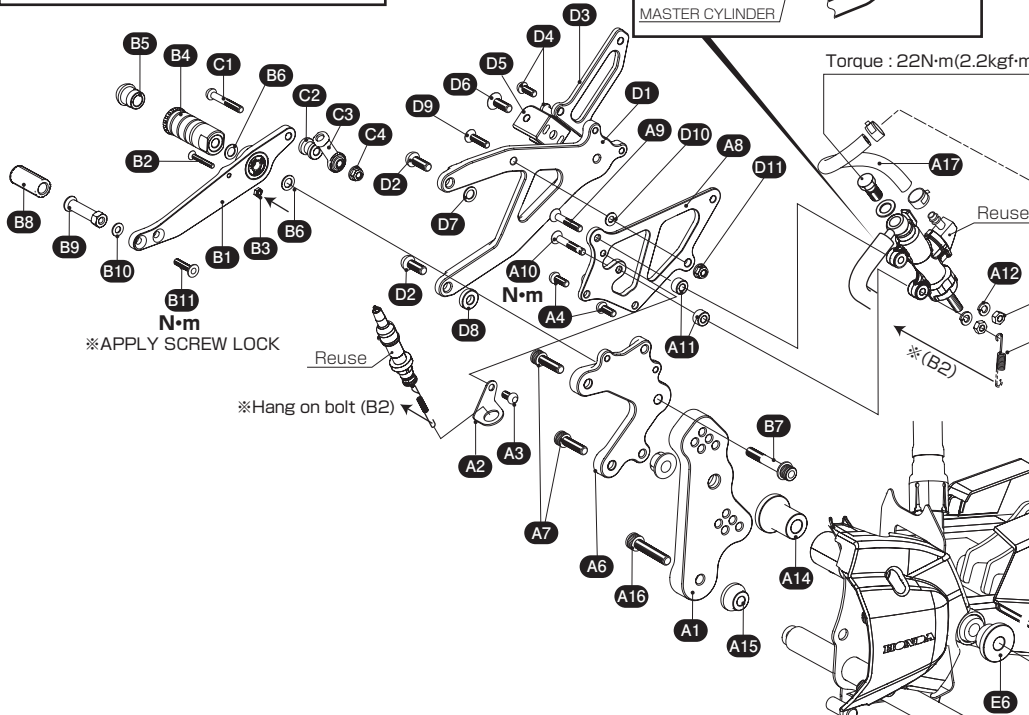
※Size is compared with stock. (about)

(A1) R BASE PLATE	
UP : 100mm	UP : 92mm
BACK : 146mm	BACK : 138mm
UP : 92mm	UP : 84mm
BACK : 154mm	BACK : 146mm
UP : 84mm	UP : 84mm
BACK : 162mm	BACK : 146mm

(POSITION 1)

(A5) BRAKE RETURN SPRING MODS

Length adjustment (bending the end of spring) is required, depending on pedal angle.

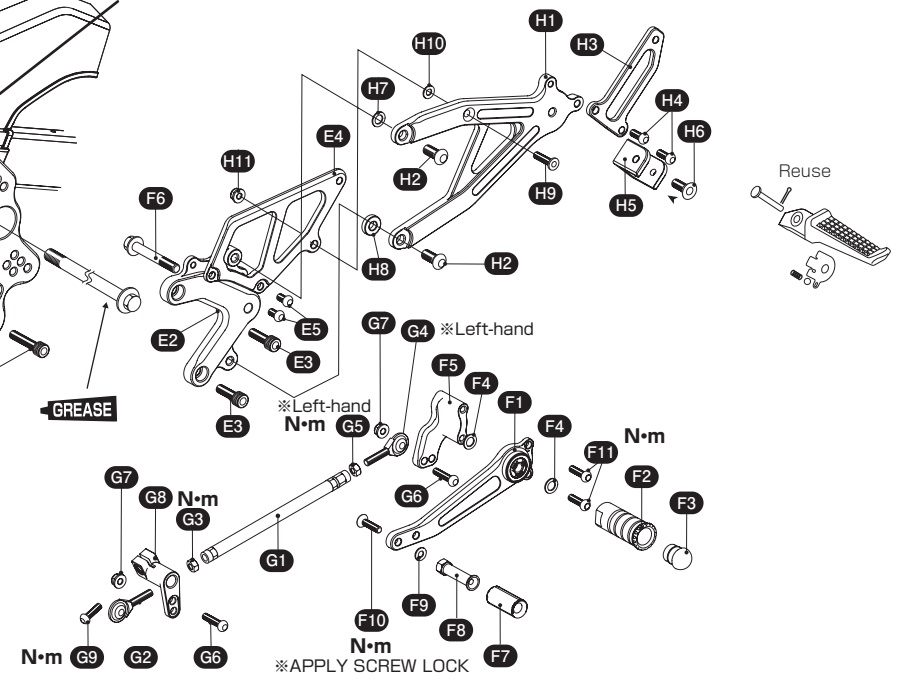


▼ Tightening Torque

Name	N · m (kgf · m)
A10 COUNTERSUNK CAP BOLT M6 × 40	7.8 ~ 12 (0.8 ~ 1.2)
B11 COUNTERSUNK CAP BOLT M6 × 25	
F10 COUNTERSUNK CAP BOLT M6 × 25	7.8 ~ 12 (0.8 ~ 1.2)
G3 NUT 6mm	
G5 NUT M6 (Left-hand)	7.8 ~ 12 (0.8 ~ 1.2)
G9 BUTTON CAP BOLT M6 × 18	
F11 BUTTON CAP BOLT M6 × 20	7.8 ~ 12 (0.8 ~ 1.2)
G11 BUTTON CAP BOLT M6 × 20	

▼ Standard Tightening Torque

Type	N · m (kgf · m)	Type	N · m (kgf · m)
5mm BOLT / NUT	5 (0.5)	5mm SCREW	4 (0.4)
6mm BOLT / NUT	10 (1.0)	6mm SCREW · SH BOLT	9 (0.9)
8mm BOLT / NUT	22 (2.2)	6mm FLANGE BOLT / NUT	12 (1.2)
10mm BOLT / NUT	34 (3.5)	8mm FLANGE BOLT / NUT	26 (2.7)
12mm BOLT / NUT	54 (5.5)	10mm FLANGE BOLT / NUT	39 (4.0)



BACK STEP KIT No.3/3

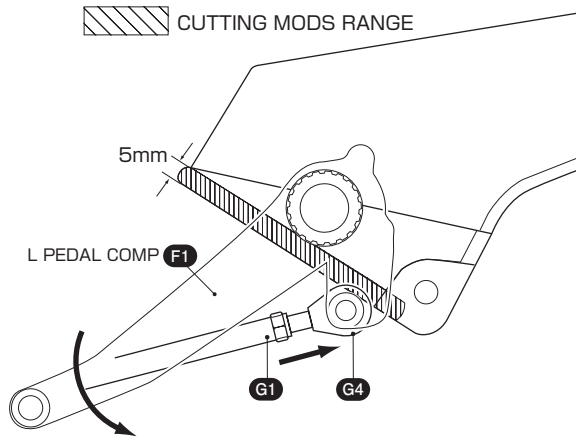
Part No. : 516-1432100

APPLICATION : GROM (JC61-1000001~1299999)

ATTENTION & ADDITIONAL EXPLANATION

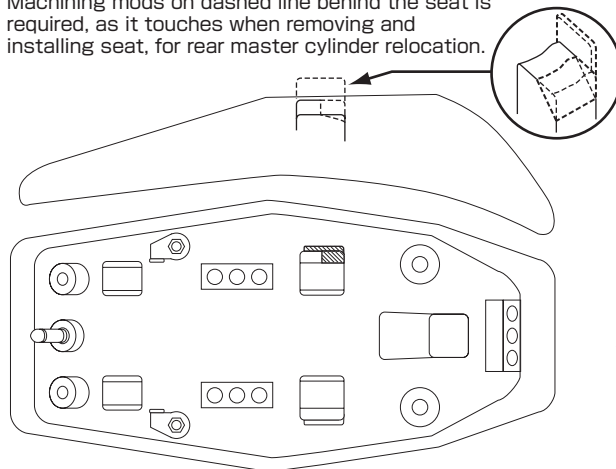
MODIFICATION OF OUTSIDE PLASTICS (COVER)

Machining mods is required on chain guard (of rear fender), as a part (G4/7) of shift linkage (G4) touches when L pedal moves.

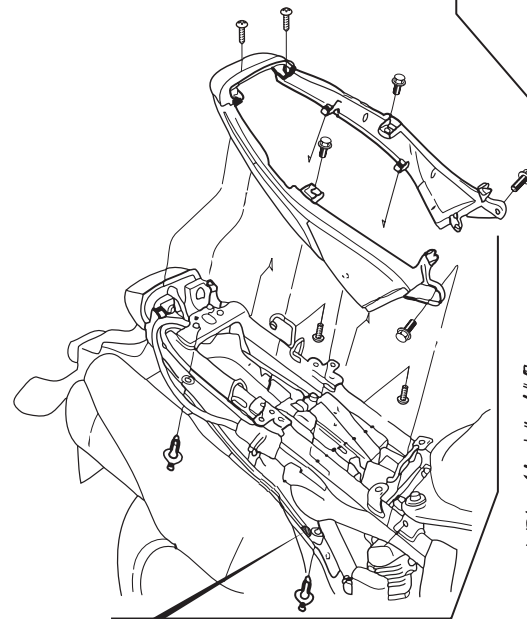


MODIFICATION OF SEAT

Machining mods on dashed line behind the seat is required, as it touches when removing and installing seat, for rear master cylinder relocation.



Cutting mods on rear fender B for hose is required, for rear master cylinder relocation.

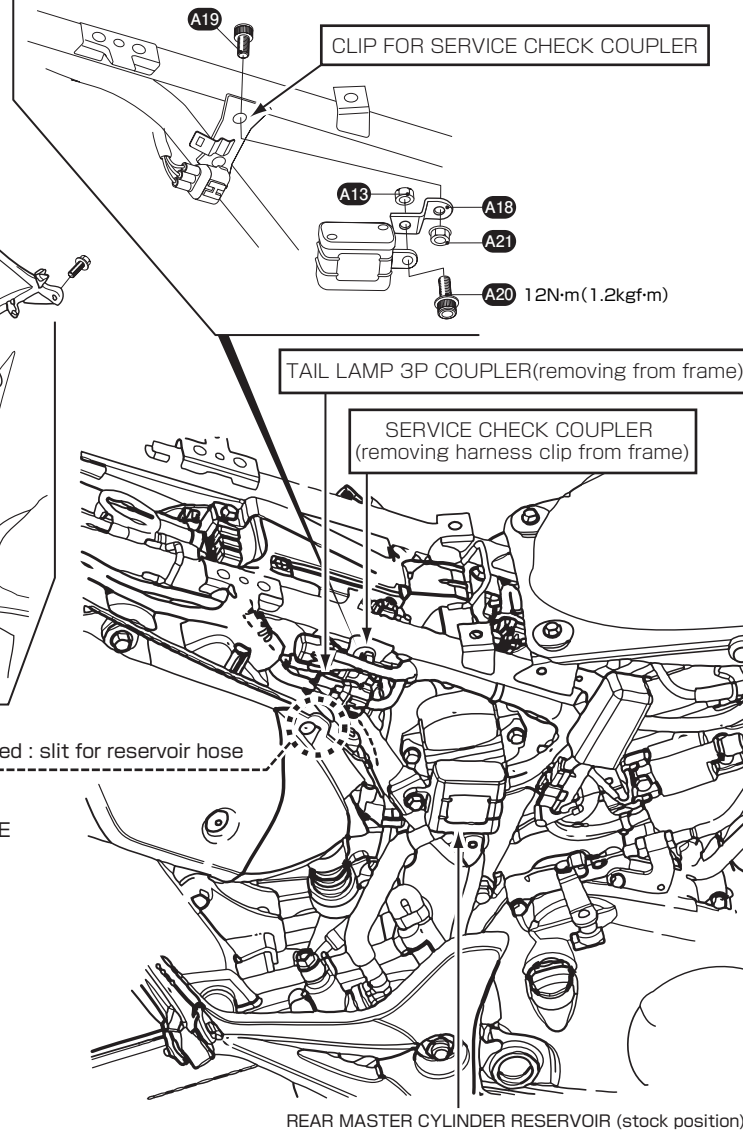


Machining mods required : slit for reservoir hose

CUTTING MODS RANGE

ATTENTION !
Cut and machine for the place,
where hose does not touch with muffler

RELOCATION OF REAR MASTER CYLINDER RESERVOIR



● Kitaco assumes no responsibility for accuracy, completeness or sufficiency of the information contained in this document.

ALUMITE PRODUCTS Please understand alumite products are tarnishable, across the ages.

