

SHIFT LINK PILLOW BALL TYPE

CODE : 516-1432900

APPLICATION : GROM (JC61/75/92) / MONKEY125 (JB02)

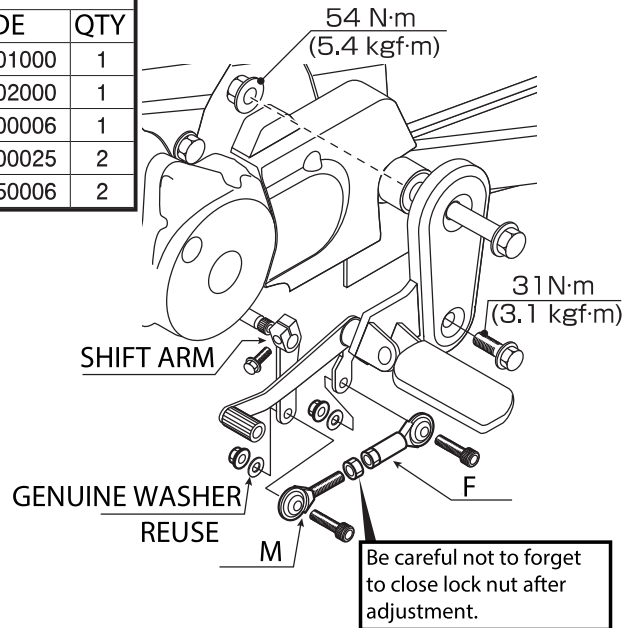
● Thank you for purchasing Kitaco product. Read and understand the instruction before installing.

ATTENTIONS (MUST READ)

- UNDER GUARD is designed and made exclusive for GROM (JC61/75/92), MONKEY (JB02), do not use on other models. Do not modify the way which is not listed or it will cause damage and trouble.
 - We are not responsible for damages and accidents caused by assembling mistake and improper settling.
 - Please ask mechanic for assembling and setting. Ask a specialist at specialty shop if you do not understand the role of the surrounding parts.
 - Refer to the manufacturer HONDA service manual for each vehicle when installing.
 - Bolts and nuts may get loosen by engine vibration. Please check and make sure each part of bolts and nuts are not loose before running.
 - This instruction sheet is for the instruction with stock condition.
 - Please contact a mechanic nearby immediately when you find something unusual.
- ※Metal / resin / alumite / products get discolored / rust for ages as well as how to use.

PACKING LIST

NAME	CODE	QTY
BALL END / M 6mm	003-0601000	1
BALL END / F 6mm	003-0602000	1
(LOCK) NUT 6mm	001-0500006	1
CAP BOLT M6x25	060-0500025	2
FLANGE LOCK NUT 6mm	001-0550006	2



How to remove and install

- Remove swing arm pivot nut, then loosen the L. step holder mount bolt.
- Pull a little bit out the L. step holder assy while pulling out the gear shift arm from gear spindle and slide it.
- Roll up the boots on the link of the gear shift arm, remove the split pin from back side, change the genuine shift rod to pillow ball type.
- ※Reuse only washer
- After the shift angle adjustment, tighten the lock nut.
[Link length adjust range : about 8mm=8 rotate]
- ※If you want to put the gear shift pedal higher than genuine position, please fine tune by shift link pillow ball after gear the shift arm angle is changed.

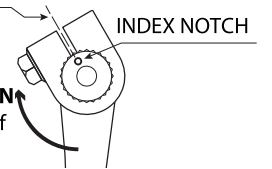
How to adjust

SUPPLEMENT EXPLANATION

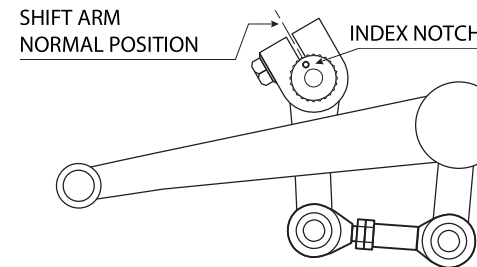
※please change the gear shift arm mounting position when you want to make a huge angle change.

WHEN YOU WANT TO PLACE THE SHIFT PEDAL HIGHER THAN NORMAL POSITION
Move the split tightening part of the gear shift arm clockwise from the index notch of the spindle.

NORMAL SHIFT ARM POSITION

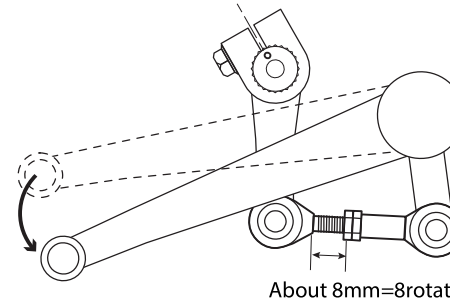


FOR SHIFT PEDAL LOWER POSITION

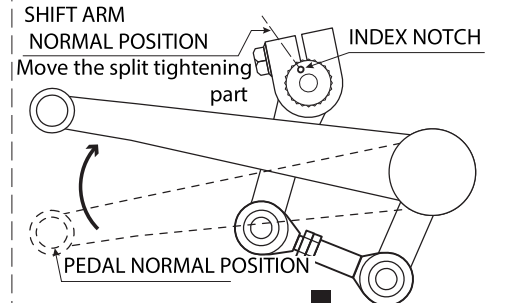


SHIFT PEDAL ADJUSTMENT

● Link adjustment : maximum about 8mm=8 rotate

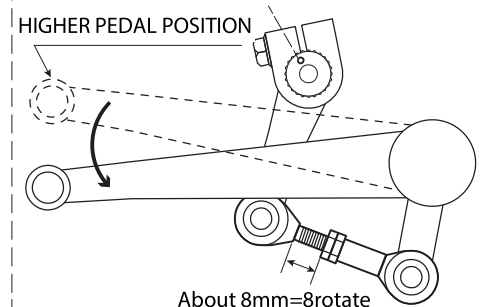


FOR SHIFT PEDAL HIGHER POSITION



SHIFT PEDAL ADJUSTMENT

● Link adjustment : maximum about 8mm=8 rotate



※When the link is extended, the shift pedal is going to be lower. Please change the length of the link to adjust the favorite position.



3-8-13 NAGATA, HIGASHI-OSAKA, OSAKA, 577-0015, JAPAN