

KITACO SHOCK ABSORBER

CODE	(RED) 520-1087120	(YELLOW) 520-1087130	(BLACK) 520-1087150	(CHROME) 520-1087190
APPLICATION	LITTLE CUB	C50/AA01	SUPER CUB 70	C70
	SUPER CUB 50	C50/AA01	SUPER CUB 90	HA02
			SUPER CUB 110	JA07
REMARK	○FREE LENGTH : 330mm ○CAM TYPE 5 STEPPED PRELOAD ADJUST ○1 SET of 2			

● Thank you for purchasing Kitaco product. Read and understand the instruction before installing.

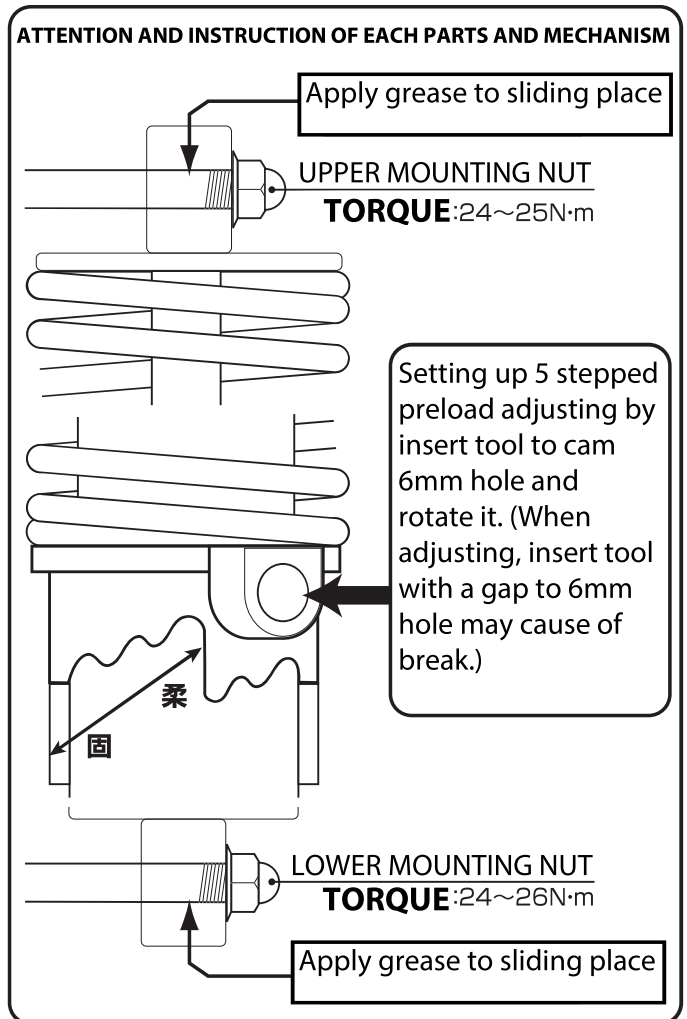
ATTENTION (MUST READ)

- Please ask authorized mechanic for assembling and setting. Ask a specialist at specialty shop if you do not understand the surrounding parts.
- We are not responsible for damages and accidents caused by assembling mistake and improper setting.
- After the installation, the steering stability has changed compare to the normal rear shock, please drive safely.
- When installing, please refer to the manufacturer service manual.
- Bolts and nuts may get loosen by engine vibration.
- ※ Metal/resin products get discolored/rust for ages as well as how to use. Please understand when using.

HOW TO INSTALL

※ If there is a hard degradation like scratch, setting, friction, etc on the reuse parts, please change to new ones.

- 1) Stable the vehicle body, by using the maintenance stand.
- 2) Remove cowls, etc, if necessary.
- 3) Remove normal rear shock and install Kitaco one.
- ※ Install while considering preload adjusting cam hole position rotating direction. Depending on the installation direction, cam might not rotate. Be careful of it.
- 5) Adjusting each parts and make sure not to loosen any parts before riding.



220113



株式会社キタコ

〒 577-0015
3-8-13

NAGATA, HIGASHI-
OSAKA, OSAKA, JAPAN