

BILLET LEVER

APPLICATION : SUPER CUB C125(JA48) / CT125 HUNTER CUB(JA55/65) / DAX 125(JB04)

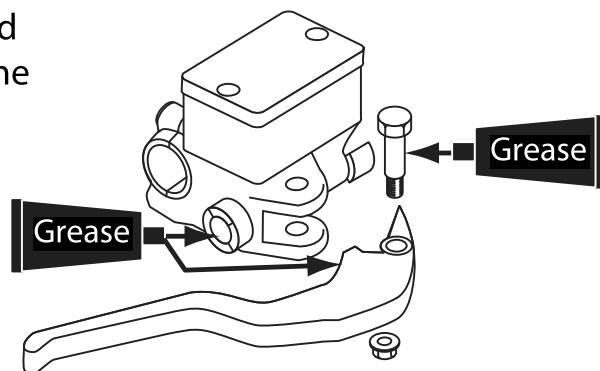
(BLACK) 525-1310250

(SILVER) 525-1310260

Thank you for purchasing Kitaco product. Read and understand the instruction before installing.

ATTENTION (MUST READ)

- Braking parts are important parts. If there is improper installation, it cause trouble immediately. Please be careful of installation.
 - Do not modify the way which is not listed or it will cause damage and trouble.
 - We are not responsible for violation of law or damages and accidents caused by assembling mistake and improper setting.
 - Please ask authorized mechanic for assembling and setting. Ask a specialist at specialty shop if you do not understand the role of the surrounding parts.
 - Bolts and nuts may get loosen by engine vibration. Make sure not to loosen any bolts and nuts before driving.
-
- Reuse the parts if it is not attached. If there is a hard degradation like a blem, fatigue and wear etc on the reuse parts, please change to new ones.
 - When changing lever, tighten nut with specified tightening torque while holding pivot bolt.
 - ※ For tightening torque, please refer to the service manual for each vehicle.
 - When changing oil pressure lever, apply grease to master piston (brake) contact part and pivot bolt sliding part.



200521

株式会社 キットコ

〒 577-0015

3-8-13 NAGATA, HIGASHI-
OSAKA, OSAKA, JAPAN