

ENGINE GUARD

CODE	(BLACK) 550-1860000
APPLICATION	REBEL250 (MC49)

●Thank you for purchasing Kitaco product. Read and understand the instruction before installing.

ATTENTION (MUST READ)

- This product is to minimize the damage of engine when falling. (Not designed for heavy use.) Do not use for other purposes.
- This product is designed and made exclusive for application models, do not use other models. Do not modify the way which is not listed or it will cause damage and trouble.
- We are not responsible for violation of law or damages and accidents caused by assembling mistake and improper setting.
- Please ask authorized mechanic for assembling and setting. Ask a specialist at specialty shop if you do not understand the role of the surrounding parts.
- Refer to the manufacturer service manual when installation.
- Bolts and nuts may get loosen by engine vibration. Make sure not to loosen any bolts and nuts before driving.
- This instruction sheet is for the instruction for stock condition.
- ※Alumite products get discolored/rust for ages as well as how to use. Please understand when using.

! Do not apply excessive force to this product when using rope or tie to deliver the vehicle. It might damage this product and surrounding parts.

⊘ This product cannot protect or prevent engine from under heavy use. It might cause of breaking this product or surrounding parts.

PACKING LIST

FIGURE	NAME	CODE	QTY
1	ENGINE GUARD LR REBEL250	550-1860001	x1
2	FLANGE BOLT M10x125	550-1860002	x1

HOW TO INSTALL

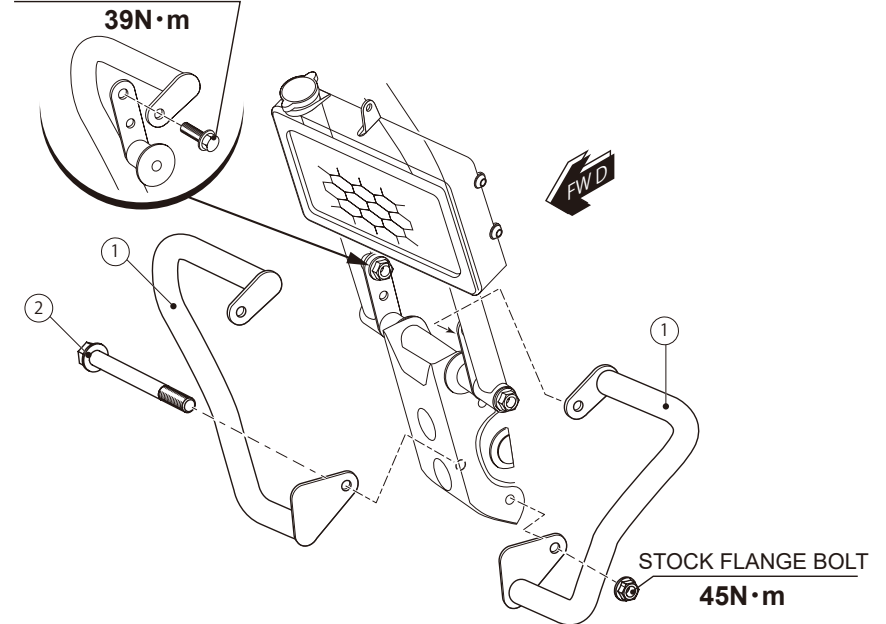
ADVICE!

Install bolts and nuts temporarily to adjust when installing. (If tightening firmly while temporarily installing, it might cause of unable to install such as the bolt hole does not match, etc). After temporarily installing, tighten firmly following torque with adjusting each parts.

- Install Kitaco engine guard to front engine hanger plate and frame.
- Make sure not to loosen engine guard before riding.

TORQUE	
BOLT/NUT SIZE	N·m (kgf·m)
10 mm	39 ~ 45 (3.9 ~ 4.5)

STOCK FLANGE BOLT



230808 M-T



3-8-13 NAGATA,
HIGASHI-OSAKA,
OSAKA, JAPAN