

# CHAIN GUIDE

CODE	(BLACK) 554-1423050 (SILVER) 554-1423060	(BLACK) 554-1432050 (SILVER) 554-1432060
APPLICATION	APE 100 (FNO,HC07/13) /XR MOTARD 100 (FNO,HD13) /GSX-S125(DL32B)/GSX-R125 (DL38B)	APE 50 (FNO,AC16/18) /XR MOTARD 50 (FNO,AD14) /NSR50/80/GROM (JC61)

● Thank you for purchasing Kitaco product. Read and understand the instruction before installing.

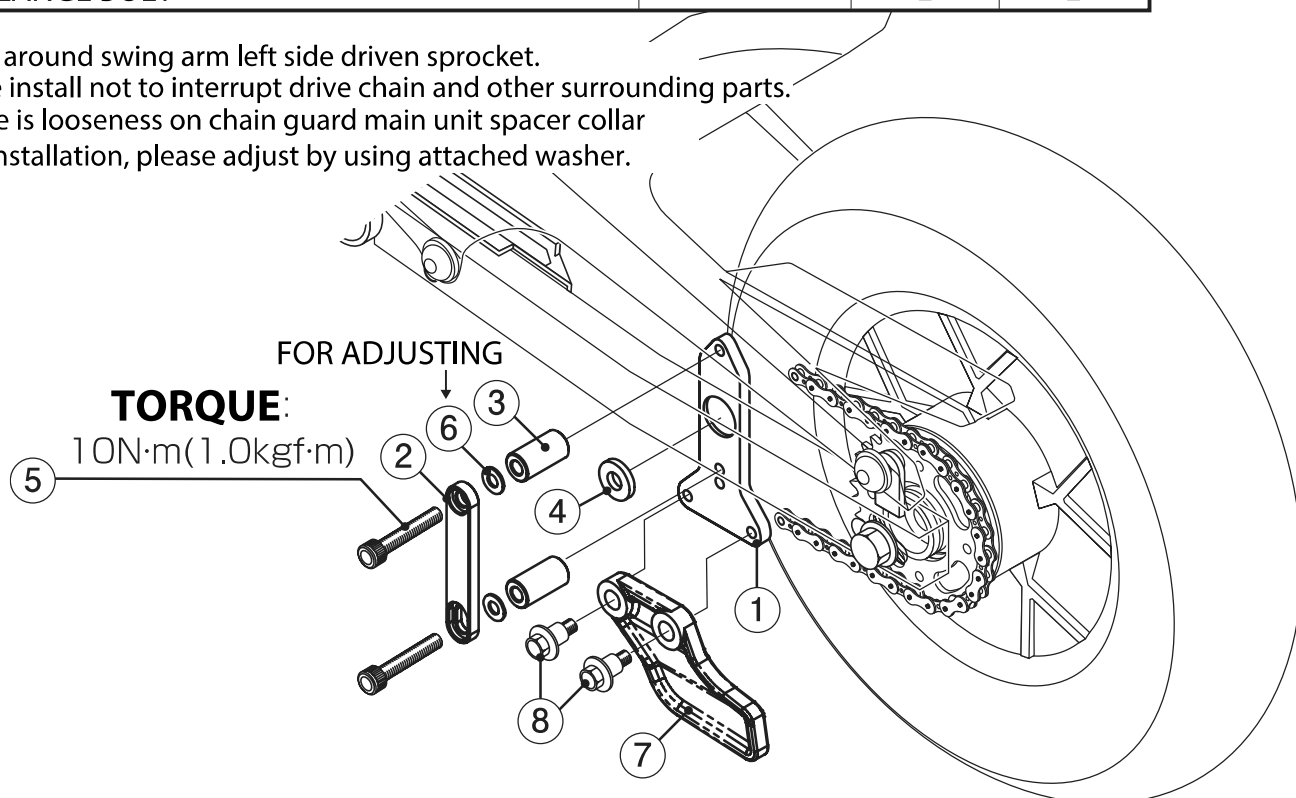
## ATTENTION (MUST READ)

- This product is minimize the rolling in on driven sprocket side when using drive chain. Do not use for other purposes.
- This product is designed and made exclusive for application vehicles, do not use other models. Do not modify the way which is not listed or it will cause damage and trouble.
- We are not responsible for violation of law or damages and accidents caused by assembling mistake and improper setting.
- Please ask authorized mechanic for assembling and setting.
- Refer to the manufacturer service manual when installation.
- Bolts and nuts may get loosen by engine vibration. Make sure not to loosen any bolts and nuts before driving.
- Alumite products get discolored/rust for ages as well as how to use. Please understand when using.

## PACKING LIST

FIGURE	NAME	CODE	554-	554-
			1423000/10	1432000/10
			QTY	
1	BASE PLATE	-	1	1
2	TOP PLATE	-	1	1
3	SPACER COLLAR (BLACK/SILVER) 13X6.2X L25	-	-	2
	SPACER COLLAR (BLACK/SILVER) 13X6.2X L30	-	2	-
4	RUBBER COLLAR 18X8.2X T3	0900-094-09809	1	1
5	CAP BOLT M6X35	060-0500035	-	2
	CAP BOLT M6X40	060-0500040	2	-
6	SPACER WASHER 6mm	090-0900006	2	2
7	CHAIN GUARD	-	1	1
8	FLANGE BOLT	-	2	2

- Install around swing arm left side driven sprocket.
- ※ Please install not to interrupt drive chain and other surrounding parts.
- If there is looseness on chain guard main unit spacer collar after installation, please adjust by using attached washer.



220915 Y-H

〒 577-0015

3-8-13



**KITACO** NAGATA, HIGASHI-  
株式会社 中ノ口 OSAKA, OSAKA, JAPAN