

HANDLE UPPER HOLDER type-3 (Handle O.D. $\phi 22.2$ /M8 bolt)

CODE

RED : 561-9000320

BLACK : 561-9000350

SILVER : 561-9000360

GOLD : 561-9000370

APPLICATION (Installing confirmed)

MONKEY125 (JB02) · GROM (JC61/JC75) · CT125 HUNTER CUB (JA55) · PCX125 (JF28 ~ 81JK05/06) · PCX150 (KF12 ~ 30) · PCX160 (KF47) · FORZA-SI (MF12) · GB350/S (NC59)

● Thank you for purchasing Kitaco product.

Read and understand the instruction before installing.

ATTENTION (MUST READ)

- Do not modify the way which is not listed or it will cause damage and trouble.
- We are not responsible for violation of law or damages and accidents caused by assembling mistake and improper setting.
- Please ask authorized mechanic for assembling and setting. Ask a specialist at specialty shop if you do not understand the role of the surrounding parts.
- Refer to the manufacturer service manual when installation.
- Bolts and nuts may get loosen by engine vibration. Make sure not to loosen any bolts and nuts before driving.
- ※ Metal/resin/alumite products get discolored/rust for ages as well as how to use. Please understand when using.

PACKING LIST

NAME	QTY
HANDLE UPPER HOLDER type-3 (M8)	× 2

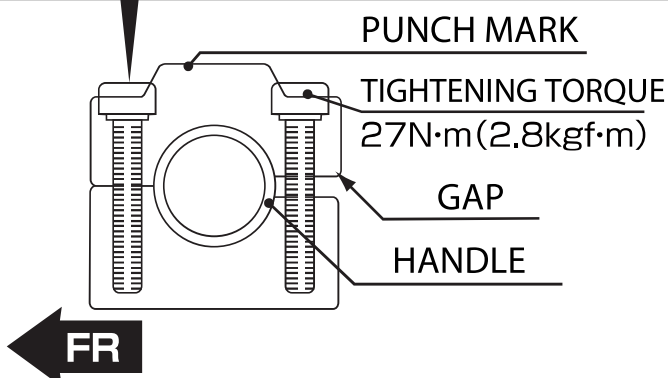
INSTALLING / REMOVING

- Loosen back side cap bolt and front side bolt then remove them.
- Check our upper holder punch mark, then install with punch mark to front side.

※ The tightening bolt process is to tighten front side 2pcs, then tighten back side 2pcs.

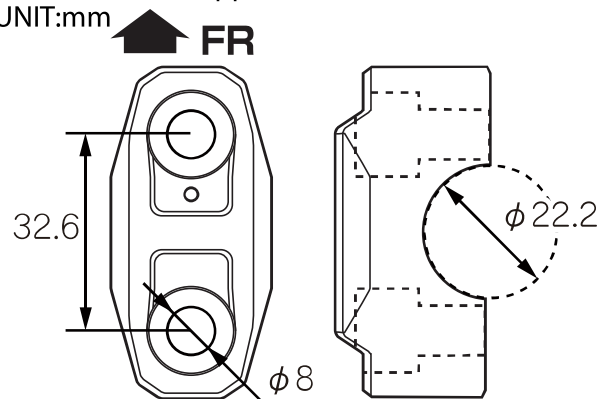
※ Make sure not to loosen each screw or break regularly.

※ **Tightening bolts firmly from front side.**



※ Measurement is approximate.

※ UNIT:mm



220824



〒 577-0015

3-8-13

NAGATA, HIGASHI-
OSAKA, OSAKA, JAPAN