

# KNUCKLE COVER SS675 (for 8/10mm mirror hole.)

CODE	(WHITE) 562-0090100	(BLUE) 562-0090130
APPLICATION	UNIVERSAL (for 8mm mirror hole) specified for YAMAHA reverse screw/Example : BW's50	
CODE	(WHITE) 562-0900100	(BLACK) 562-0900110
APPLICATION	UNIVERSAL (for 10mm mirror hole) Example : address V125 ※not compatible : CYGNUS X/LEAD110	
CODE	(WHITE/without mirror adapter) 562-1427100	(BLACK/without mirror adapter) 562-1427110
APPLICATION	UNIVERSAL / without mirror adapter (for 10mm mirror hole) Example : Dio110 (JF31)	

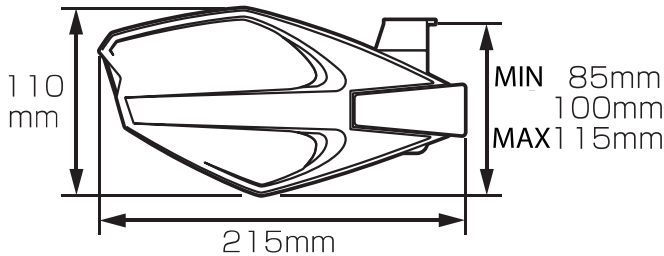
● Thank you for purchasing Kitaco product. Read and understand the instruction before installing.

## ATTENTIONS (MUST READ)

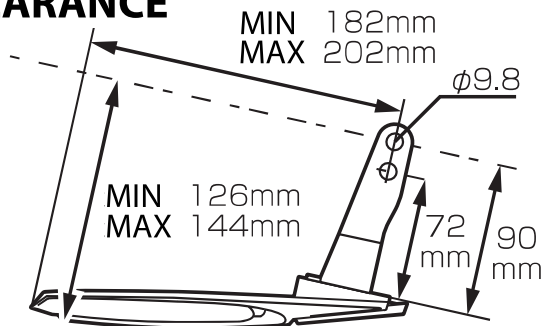
- This instruction sheet is for the instruction for genuine condition.
- This product is for dress-up. Do not use for other purposes.
- This product is designed and made exclusive for application vehicles, do not use other models. Do not modify the way which is not listed or it will cause damage and trouble.
- We are not responsible for violation of law or damages and accidents caused by assembling mistake and improper setting.
- Please ask authorized mechanic for assembling and setting.
- Refer to the manufacturer service manual when installation.
- Adhesive surface may get loosen by engine vibration. Make sure not to loosen before driving.

PACKING LIST			8mm	10mm	10mm no adapter
CODE	NAME		QTY		
060-0500012	CAP BOLT	M6 × 12	4	4	4
0900-505-10020	MIRROR ADAPTER (L/BLACK) 8mm hole positive screw		1	-	-
0900-505-00083	MIRROR ADAPTER (R/BLACK) 8mm hole reverse screw		1	-	-
0900-505-10040	MIRROR ADAPTER (L/17BLACK) 10mm hole positive screw		-	2	-
0900-505-00103	MIRROR ADAPTER (R/17BLACK) 10mm hole reverse screw		-	2	-
562-0900000	KNUCKLE COVER (WHITE)	SS675	1SET	1 SET	1 SET
562-0900010	KNUCKLE COVER (BLACK)	SS675	-	EACH	EACH
562-0900030	KNUCKLE COVER (BLUE)	SS675	1SET	-	-
562-0900109	KNUCKLE COVER STAY (SCOOTER)		1SET	1SET	1SET

FRONT ILLUSTRATION

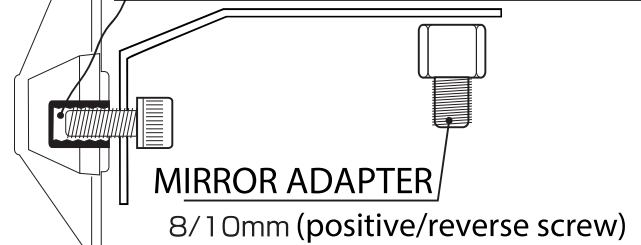


CLEARANCE



## ATTENTION ABOUT INSTALLATION

**FOLLOW SPECIFIED TORQUE STRICTLY.  
OVERTIGHTENING BREAK INSERT NUT.  
TORQUE : 4N·m(0.4kgf·m)**



Resin product (cover) may get scratched easily and direct sunlight cause of discolored. Please understand before using.