

AIR CLEANER COVER

CODE : 590-1427100 (OSS-ZH-07972800)

APPLICATION : Dio110 (JF31)

Thank you for purchasing Kitaco product. Read and understand the instruction before installing.

ATTENTION (MUST READ)

- This instruction sheet is for the instruction for stock condition.
- This product is for dress up installing air cleaner. Do not use for other purposes.
- This product is designed and made exclusive for application model, do not use other models. Do not modify the way which is not listed or it will cause damage and trouble.
- We are not responsible for violation of law or damages and accidents caused by assembling mistake and improper setting.
- Please ask authorized mechanic for assembling and setting.
- Refer to the manufacturer service manual when installation.
- Attached surface may get loosen by engine vibration. Make sure not to loosen any bolts and nuts before driving.
 - ※ Chrome might be uneven, but it does not affect product quality. Please understand before installation.
 - ※ Metal/resin products get discolored/rust for ages as well as how to use. Please understand when using.

PACKING LIST

CODE	NAME	QTY
590-1427100	AIR CLEANER COVER (CHROME)	1
0900-093-00002	SPACER COLLAR $\phi 11 \times 6.2 \times 5$	2
056-0590025	TRUSS SMALL SCREW M5 \times 25	2

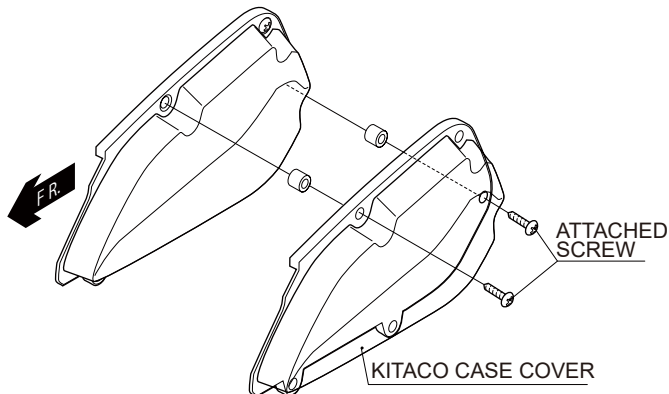
HOW TO INSTALL

○ Remove stock case cover bolt (2pcs). Install Kitaco case cover on the stock cover with attached bolts, collars and double-sided tape.

※ Clean the grease, wax on stock cover attaching surface before temporarily installing chrome cover. At this time, attach double-sided tape temporarily with peeling both ends of release paper. After decided where to attach, peel it and attach firmly. (Tape is strong, once remove all release paper, unable to attach again. Be careful of it.)

※ When tightening screw, over-tightening may break Kitaco cover. Be careful of tightening. This is chrome and resin product, screw tightening marks remain. Please understand before installation.

RECOMMEND TORQUE : 1.2N·m (0.1kgf·m)



110722

KITACO
株式会社 キットコ

3-8-13 NAGATA,
HIGASHI-OSAKA,
OSAKA, JAPAN