

SINGLE SEAT COWL

CODE : 610-1432700

APPLICATION : GROM (JC61)

REFERENCE : KITACO REAR CARRIER / GRAB BAR not useable

Read and understand the instruction before installing. Please keep the instruction for later needs.

ATTENTIONS (MUST READ)

- CARBON TANK PAD is designed and made exclusive for GROM, do not use on other models.
- Do not modify the way which is not listed or it will cause damage and trouble.
- We are not responsible for damages and accidents caused by assembling mistake and improper setting.
- Please ask mechanic for assembling and setting.
- Ask a specialist at specialty shop if you do not understand the role of the surrounding parts.
- Refer to the manufacturer HONDA service manual when installation
- Bolts and nuts may get loosen by engine vibration.
- Please check and make sure each part of bolts and nuts are not loose before running.
- CFPR is easy to burn. Evacuate immediately when it is on fire, by accident or anything.
- Wear work gloves when installing as fibers of visor might prick on fingers.
- Use compound wax for surface scratches.
- Do not operate in inadequately-ventilated room.
- Vaporized resin and hardening agent might be in the room, which is harmful to human body.
- This instruction sheet is for the instruction with stock condition.
- Please contact a mechanic nearby immediately when you find something unusual.

PACKING LIST

	NAME	QTY	備考
1	SINGLE SEAT COWL	× 1	
2	RUBBER TAPE 25 × 25 × T1.0mm	× 2	
3	STAY	× 2	
4	CLIP NUT 6mm	× 2	
5	FLAT BUTTON CAP BOLT M6 × 15	× 2	Tightening torque : 10N·m (1.0kgf · m)
6	RUBBER TAPE 40 × 50 × T1.0mm	× 1	



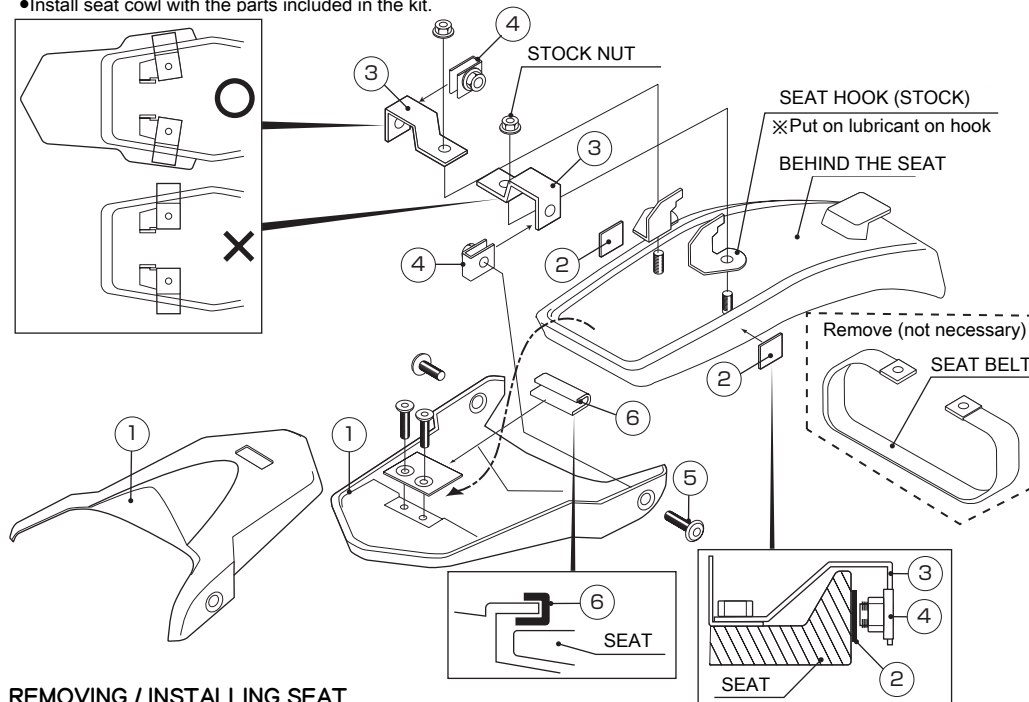
Tandem ride is prohibited. Seat belt is required when removing single seat cowl. Please keep it for later needs.



Do not sit on or step on the seat cowl when removing or installing single seat cowl, to avoid hurting it.

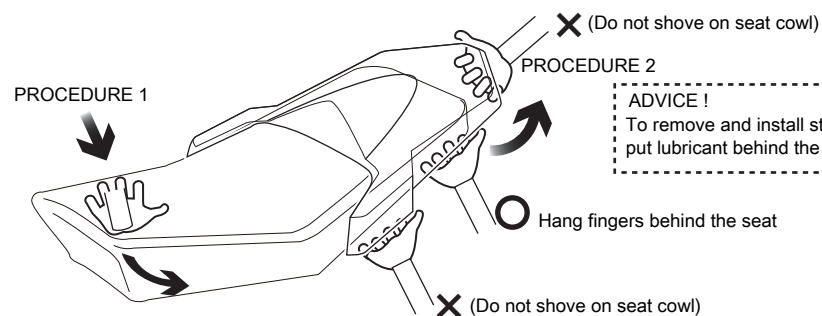
HOW TO INSTALL

- ※ Exchange to new parts if "reuse" parts have scratches, blem and wear.
- Install seat cowl with the parts included in the kit.

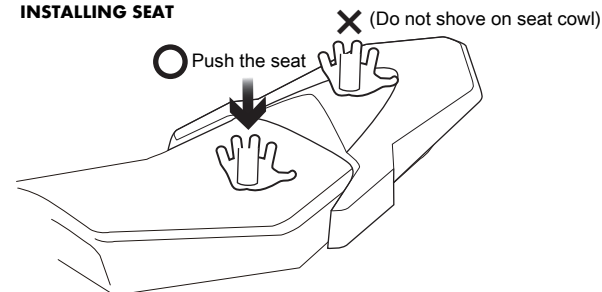


REMOVING / INSTALLING SEAT

REMOVING SEAT With seat lock open, push front side of the seat (procedure 1), lift up the side of seat (procedure 2).



INSTALLING SEAT



131024



3-8-13 NAGATA
HIGASHI-OSAKA,
OSAKA,
577-0015, JAPAN