

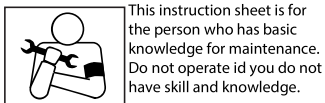
OIL CATCH TANK No. 1/2

CODE	(RED) 616-1452220	(BLACK) 616-1452250	(SILVER) 616-1452260
APPLICATION	MONKEY 125 (JB03) / GROM (JC92)		
REMARK	※If you remove the genuine air cleaner, please use UNI FILTER KIT (515-1452100).		

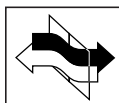
● Thank you for purchasing Kitaco product. Read and understand the instruction before installing.

ATTENTIONS (MUST READ)

- The pressure of the inside the crankcase is going to be high by the tuned engine. OIL CATCH TANK is to release the blowby gas in the air and keep the oil inside.
- We are not responsible for damages and accidents caused by assembling mistake and improper setting.
- Do not modify the way which is not listed or it will cause damage and trouble.
- Please ask authorized mechanic for assembling and setting. Ask a specialist at specialty shop if you do not understand the role of the surrounding parts.
- Bolts and nuts may get loosen by engine vibration.
- OIL CATCH TANK is designed and made for exclusive for MONKEY125(JB03)/GROM(JC92), do not use other models.
- ※ Metal/resin/alumite products get discolored/rust for ages as well as how to use.



This instruction sheet is for the person who has basic knowledge for maintenance. Do not operate if you do not have skill and knowledge.



Toxic, high-volatile gasoline is used during operating. Be sure to ventilate the room. Do not operate for hours in a hermetically closed room.



FLAMMABLES
Inflammable gasoline is used during operation. Using flammable things such as smoking is strictly prohibited.



Don't touch the engine parts (cylinder, crankcase, muffler, engine oil, etc.) right after engine operation. Be sure to start the installation after the engine parts are completely cool.



HIGH VOLTAGE
Wear insulated glove when checking the sparking outside the cylinder.

SPECIFICATION

O.D. x length : $\phi 63 \times L115\text{mm}$ CAPACITY : 220cc

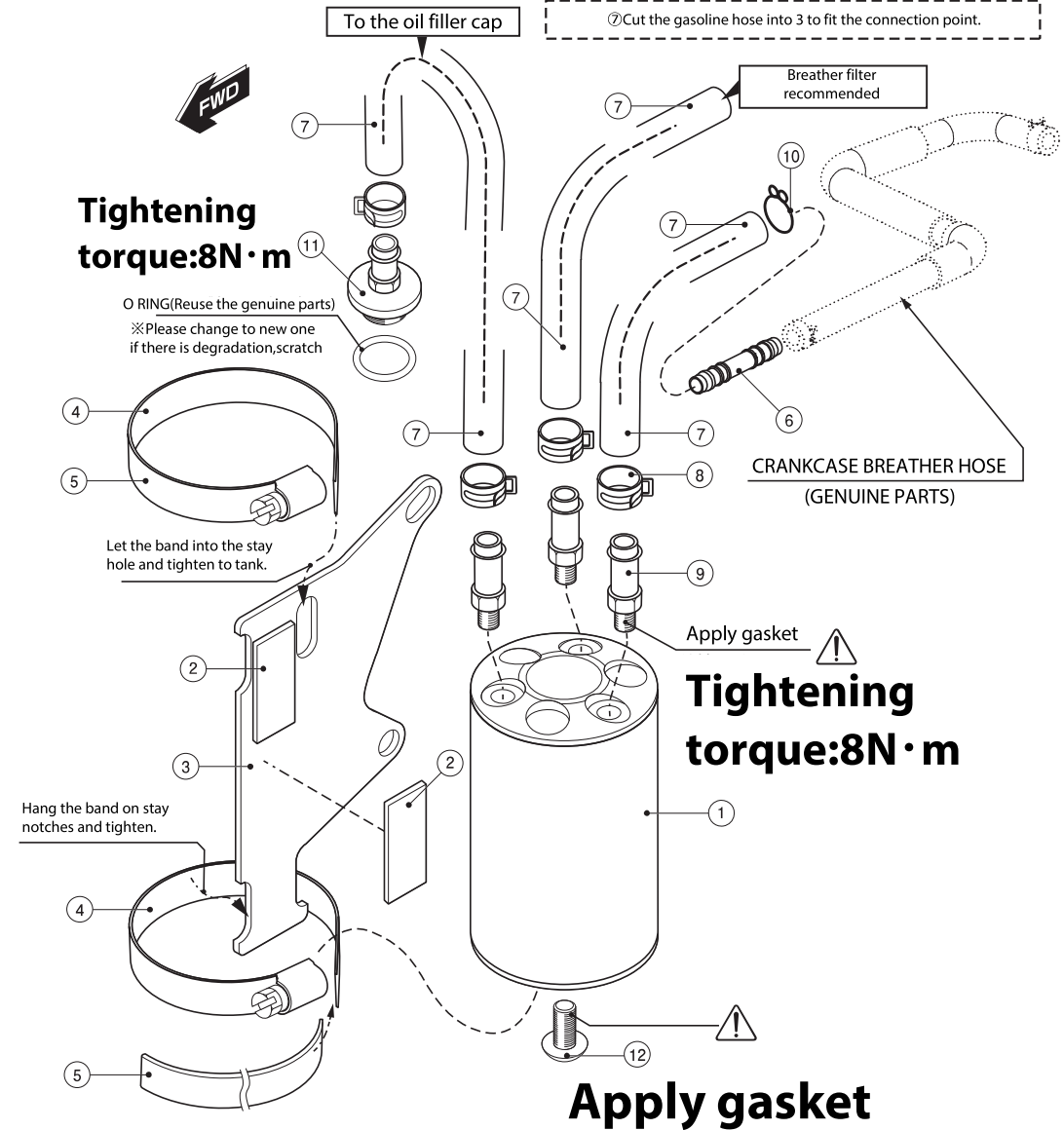
PACKING LIST (Refer to the figures & illustration right side)

FIGURE	NAME	CODE	QTY	
1	CARBON CATCH TANK BOTTLE	RED	616-0501220	x1
		BLACK	616-0501250	
		SILVER	616-0501260	
2	SPONGE TAPE	20x58xT3mm	996-0600004	x2
3	CATCH TANK STAY		616-1452201	x1
4	STAINLESS BAND (W12)	50-70mm	995-0501070	x2
5	PROTECTIVE TUBE	10x360mm	755-0900805	x1
6	HOSE CONNECTOR TYPE I	($\phi 7.5-8$ 用)	990-0603080	x1
7	GASOLINE HOSE (GRAY)	7mm x 1000mm	991-9075100	x1
8	CRESCENT CRAMP	12.5	995-0008006	x4
9	NIPPLE (FOR $\phi 8$ HOSE)	8x1.25mm	990-0800201	x3
10	HOSE CLIP	(12mm)	995-0601112	x1
11	OIL FILLER CAP	(BREATHER ATTACHMENT)	513-1002002	x1
12	BUTTON CAP BOLT	M8X15	080-0551015	x1

OPTIONAL PARTS

LIQUID GASKET (KC-167) 0900-969-00020

- ※ Basically, reuse genuine parts if they are not attached. If there is a hard degradation like scratch, setting, friction, etc on the reuse parts, please change to new ones.
- ※ Please check attached document No.2 for how to install.

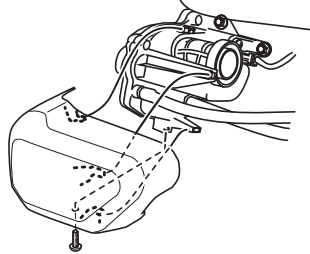


OIL CATCH TANK No.2/2

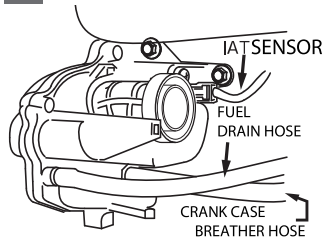
商品コード	(RED) 616-1452220	(BLACK) 616-1452250	(SILVER) 616-1452260
適合車種	MONKEY125 (JB03) / GROM (JC92)		
備考	※If you remove the genuine air cleaner, please use UNI FILTER KIT (515-1452100).		

REMOVE PARTS FROM AIR CLEANER CASE (MONKEY125)

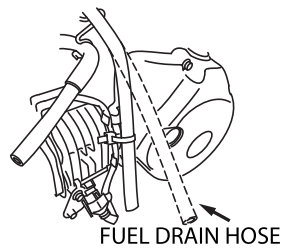
1-1 Remove the garnish with moving forward from air cleaner case on the left side. (illustration below)



1-2 Remove Fuel drain hose and crank case breather hose from air cleaner case.

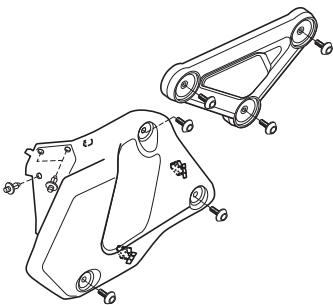


1-3 Tighten the fuel drain hose to the harness, etc with tie wrap.

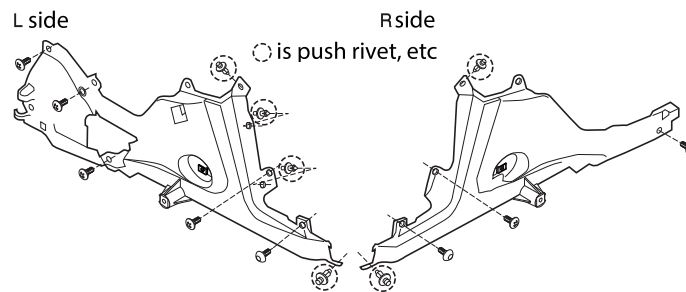


REMOVE PARTS FROM AIR CLEANER CASE (GROM)

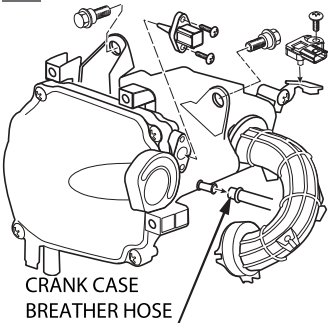
1-1 Remove the shroud and side cover A from L/R both side.



1-2 Remove the fuel cover from L/R both side.

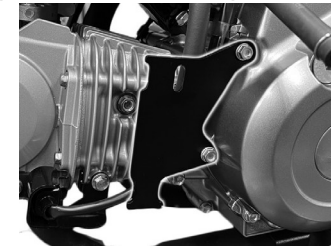


1-3 Remove the crank case breather hose from air cleaner case.

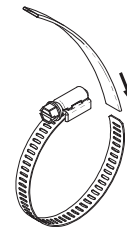


INSTALL OIL CATCH TANK

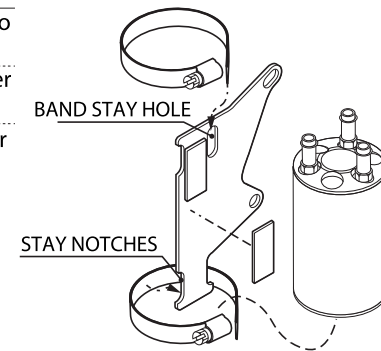
2-1 Tightening the oil catch tank stay and L crank case cover together with installing bolt. **Tightening torque:10 N·m(1.0kgf·m)**



2-2 Insert the oil catch tank band to protect tube.
※ Divide the protect tube into 2.



2-3 Install the oil catch bottle to oil catch stay.
※ Tighten the tank with upper band insert to stay hole.
※ Tighten the tank with lower band hanging to stay notches.



INSTALL OIL CATCH TANK HOSE

3-1 After installing the catch tank body, cut the attached hose into 3 to connect each nipple to oil catch tank.

▼ OIL FILLER CAP SIDE



▼ OIL CATCH TANK SIDE



HOW TO CARE

※ Wash inside the tank regularly, if oil is emulsified, please change the oil.