


FASHION CARRIER (REAR) / (OPTION) BACK REST

CODE	REAR CARRIER (BLACK) : 539-1153150	REAR CARRIER (WHITE) : 539-1153180
	(OPTION) BACK REST : 652-1153900	
APPLICATION	SUPER CUB 50 / PRO (AA09 / 07) / 110 / PRO (JA44 / 42)	
REMARK	If installing to CUB 110 (JA44), unable to tandem.	


Thank you for purchasing Kitaco product. Read and understand the instruction before installing.

ATTENTION! (MUST READ)

- This instruction sheet is for the instruction for genuine condition.
- Do not apply excessive force to carrier and back rest. It might break this product and surrounding parts.
- This product is designed and made exclusive for application vehicles, do not use other models. Do not modify the way which is not listed or it will cause damage and trouble.
- We are not responsible for violation of law or damages and accidents caused by assembling mistake and improper setting.
- Please ask authorized mechanic for assembling and setting.
- Refer to the manufacturer service manual when installation.
- Bolts and nuts may get loosen by engine vibration. Make sure not to loosen any bolts and nuts before driving.

 Do not apply excessive force to carrier and back rest such as using rope or tie to deliver the vehicle. It might damage the rear carrier, back rest and surrounding parts.

 Do not overweight on carrier. It might damage the carrier. (Weight limit : 5.0kg) (Unable to tandem with installed to 110cc)

 Do not apply excessive force like lifting the vehicle using carrier or back rest. When you turning the vehicle, use it to helping tool.

REAR CARRIER PACKING LIST				
CODE	NAME	QTY	REMARK	
	REAR CARRIER (BLACK/WHITE)	1		
080-0560030	FLANGE CAP BOLT M8 × 30	2	For fixing pad stay.	
0900-093-00032	SPACER COLLAR 20x8.2xL10	2	For fixing pad stay.	

BACK REST PACKING LIST				
CODE	NAME	QTY	REMARK	
652-0407110	TANDEM PAD / STAY	1		
080-0560020	FLANGE CAP BOLT M8 × 20	2	For fixing pad stay.	
001-0550008	FLANGE LOCK NUT 8mm	2	For fixing pad stay.	
-	NUT 8mm	2	For fixing pad.	

HOW TO INSTALL

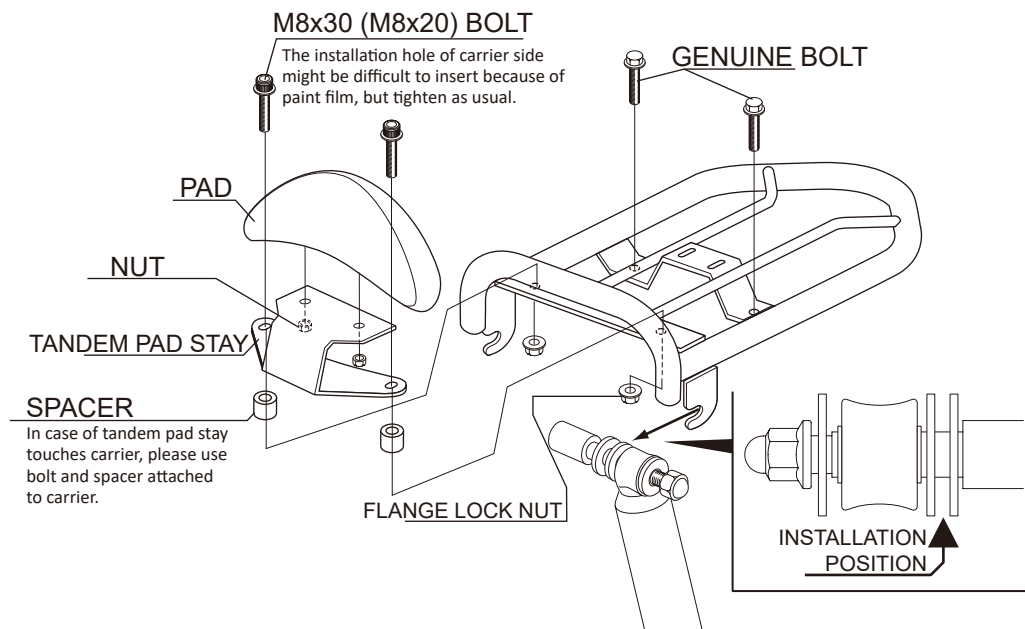
※ If there is a hard degradation like a blem, fatigue and wear etc on the reuse parts, please change to new ones.

○ Install Kitaco carrier as same as genuine one with using normal bolt.

※ Install rear carrier while removing right side rear shock or sliding to outside.

● After installation, tighten rear shock mounting nut.

● Install back rest stay to carrier to install option backrest.



190325 M-T

 **KITACO**
株式会社 キットコ

3-8-13 NAGATA,
HIGASHI-OSAKA,
OSAKA, JAPAN