

NEW POWER STAND II HS-142

CODE	656-1010142
APPLICATION	SUPER CUB C-50 / -90 / MATE V-50 / -80

Thank you for purchasing Kitaco product. Read and understand the instruction before installing.

ATTENTION (MUST READ)

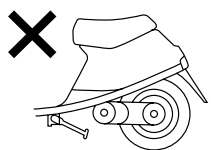
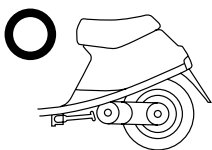
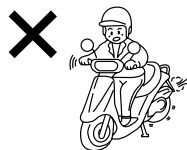
- ▲ Pay attention to below to install side stand. Assembling mistake and improper setting may cause of trouble and accident.
- We are not responsible for violation of law or damages and accidents caused by assembling mistake and improper setting.
- Please ask authorized mechanic for assembling and setting. Ask a specialist at specialty shop if you do not understand the role of the surrounding parts.
- This product is designed and made exclusive for application models, do not use other models.
- The vehicle height is changed because of changing rear shock, etc may cause of falling because of stand degree. Please install with stock condition.
- After installation, move side stand back and forth, check the strage position and positon to stable vehicle.
- Do not shake or jump on the vehicle with using side stand. It might cause of breaking side stand, surrouding parts and accident.
- Do not over weight. It causes of falling.
- Bolts and nuts may get loosen by engine vibration. Make sure not to loosen any bolts and nuts before driving.
- Please give this instruction sheet when you sell to someone.



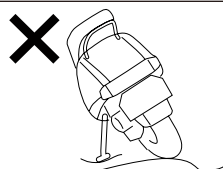
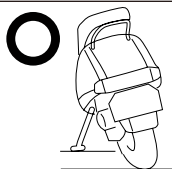
This instruction sheet is for who has basic maintenance knowledge. Do not operate if you do not have any skills and knowledge.



Do not modify the way which is not listed or it will cause damage and trouble.



Do not start engine with using side stand. It might cause of jump out the vehicle and falling. Please storage side stand before riding.



Do not use side stand on soft mud, bumpy road, etc. Check the side stand on the flat hard road to not falling before using side stand.



Do not over weight to carrier. It might cause of break.
WEIGHT LIMIT : TOTAL 6KG (FRONT 3KG / REAR 3KG)

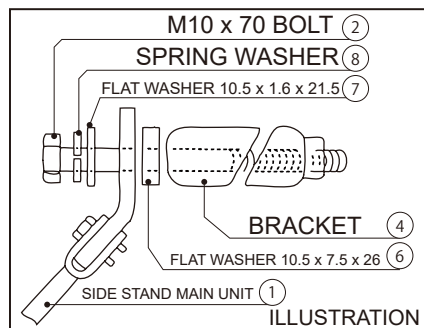


Do not use side stand when delivery.



Do not apply excessive force as lifting vehicle, etc by using this product. When turning vehicle, please use as support.

When loading down, please use center stand.



⑤ FLAT WASHER 10.5 x 2 x 21.5

③ FLAT WASHER 10.5 x 4 x 16.3

② M10 x 70 BOLT

⑧ SPRING WASHER

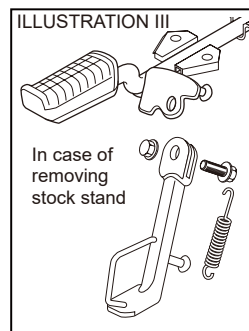
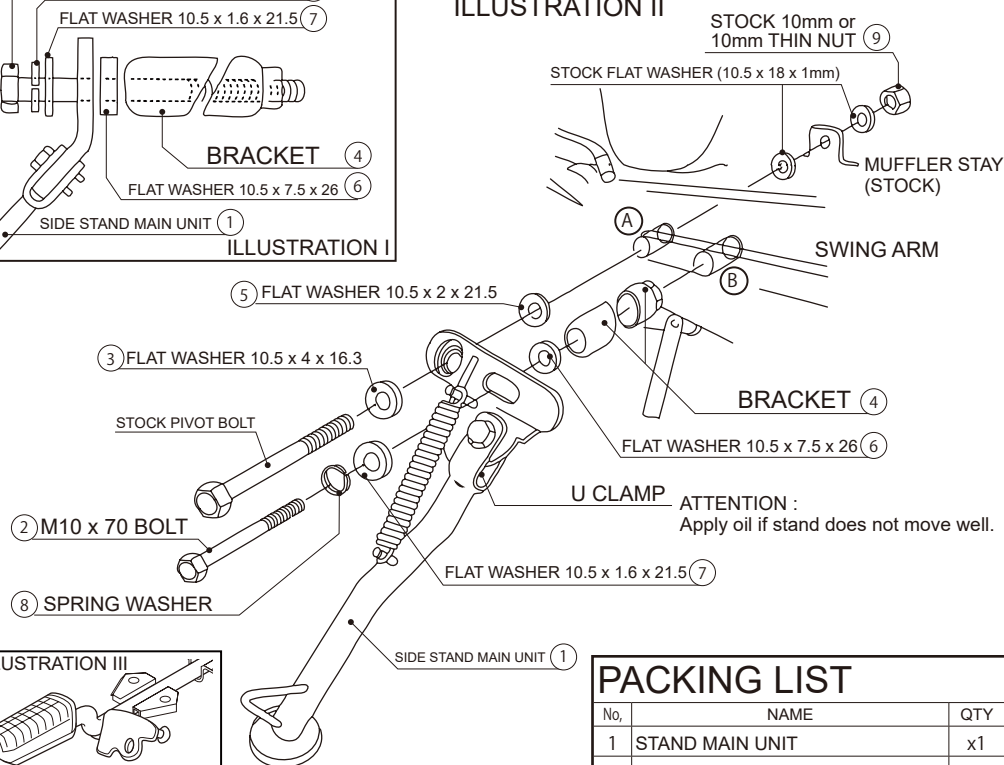


ILLUSTRATION II



STOCK 10mm or 10mm THIN NUT ⑨

STOCK FLAT WASHER (10.5 x 18 x 1mm)

MUFFLER STAY (STOCK)

SWING ARM

BRACKET ④

FLAT WASHER 10.5 x 7.5 x 26 ⑥

U CLAMP ATTENTION :
Apply oil if stand does not move well.

FLAT WASHER 10.5 x 1.6 x 21.5 ⑦

SIDE STAND MAIN UNIT ①

PACKING LIST

No.	NAME	QTY
1	STAND MAIN UNIT	x1
2	BOLT M10 x 70mm	x1
3	FLAT WASHER M10.5 x 4 x 16.3mm	x1
4	BRACKET	x1
5	FLAT WASHER (10.5 x 2.0 x 21.5mm)	x1
6	FLAT WASHER (10.5 x 7.5 x 26mm)	x1
7	FLAT WASHER (10.5 x 1.6 x 21.5mm)	x1
8	SPRING WASHER 10mm	x1
9	3 KINDS OF THIN TYPE NUT 10mm	x1

HOW TO INSTALL

- 1) Refer to the illustration I, install bracket (4) with M10 x 70 bolt (2), spring washer (8), flat wahser ((6)/(7)) to side stand main unit (1) stay long hole.
 - 2) Remove swing arm pivot bolt from A) position. (Remove vehicle right side muffler stay nut.)
 - 3) Install bracket (4) installed to side stand main unit (1) on step 1 to swing arm hole B).
*Welding mark might left on swing arm hole, press bracket (4) in to the half.
 - 4) Tighten side stand main unit with pivot bolt and attached flat washer ((3) / (5)) together. Press bracket (4) in at the same time. If the screw tip does not come out from right side and unable to tighten nut, please tighten with attached M10 thin nut (9).
*If the nut hanging is not enough, please deal with muffler stay inside washer.
- ATTENTION**
*Bracket (4) might loosen gradually. Make sure not to loosen before riding, if its loosen, please tighten additionally.
*When using power stand and stock stand together as illustration III, if the both stands interrupting each other, please remove stock stand.



3-8-13 NAGATA,
HIGASHI-OSAKA,
OSAKA, JAPAN
<https://www.kitaco.co.jp/>

231025