

SIDE STAND HS-148 for LEAD50 / 100 No.1/2

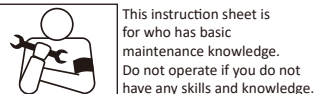
CODE 656-1010148

APPLICATION LEAD50 (AF48) / 100 (JF06)

Thank you for purchasing Kitaco product. Read and understand the instruction before installing.

ATTENTION (MUST READ)

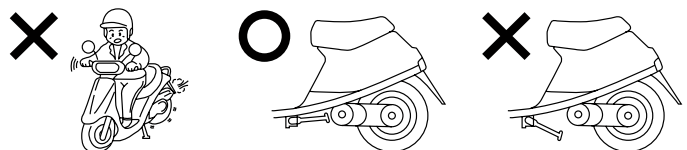
- ▲ Pay attention to below to install side stand. Assembling mistake and improper setting may cause of trouble and accident.
- We are not responsible for violation of law or damages and accidents caused by assembling mistake and improper setting.
- Please ask authorized mechanic for assembling and setting. Ask a specialist at specialty shop if you do not understand the role of the surrounding parts.
- This product is designed and made exclusive for application models, do not use other models.
- The vehicle height is changed because of changing rear shock, etc may cause of falling because of stand degree. Please install with stock condition.
- After installation, move side stand back and forth, check the strage position and positon to stable vehicle.
- Do not shake or jump on the vehicle with using side stand. It might cause of breaking side stand, surrounding parts and accident.
- Do not over weight. It causes of falling.
- Bolts and nuts may get loosen by engine vibration. Make sure not to loosen any bolts and nuts before driving.
- Please give this instruction sheet when you sell to someone.



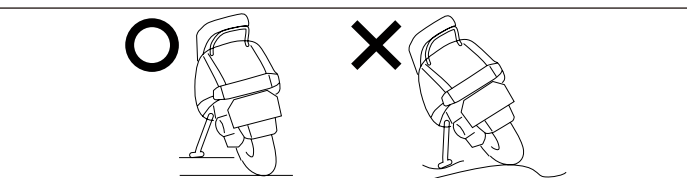
This instruction sheet is for who has basic maintenance knowledge. Do not operate if you do not have any skills and knowledge.



Do not modify the way which is not listed or it will cause damage and trouble.



Do not start engine with using side stand. It might cause of jump out the vehicle and falling. Please storage side stand before riding.



Do not use side stand on soft mud, bumpy road, etc. Check the side stand on the flat hard road to not falling before using side stand.

PACKING LIST

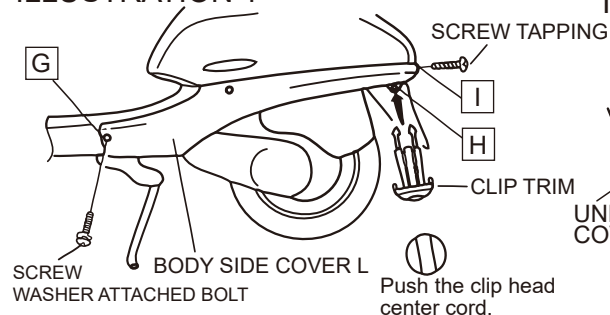
	NAME	QTY	NAME	QTY
1	SIDE STAND MAIN UNIT	1	8mm SPRING WASHER	1
2	BRACKET	1	BUTTON CAP BOLT (WITH SPRING WASHER)	1
3	KITACO BOLT (M6 x 70)	1	CUT OUT STICKER	1
4	6mm FLANGE NUT	1	HAND SAW	1
5	KITACO FLAT WASHER (12 x 4 x 6)	1	INSTRUCTION SHEET	1
6	M8 x 40 HEXAGON BOLT	1		

REQUIRED TOOLS

SPANNER / DRIVER / HEXAGON SOCKET WRENCH

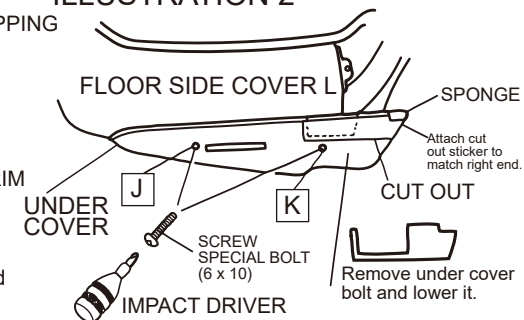
070517

ILLUSTRATION 1

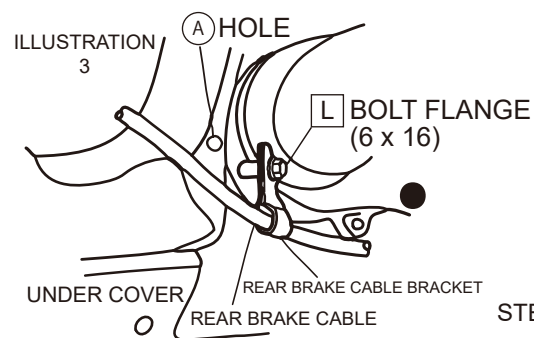


- 1) Remove Body side cover L (G) bolt (with screw washer), (H) clip trim, (I) screw tapping.
- * When removing / installing side cover, be careful not to break side cover upper side claw.

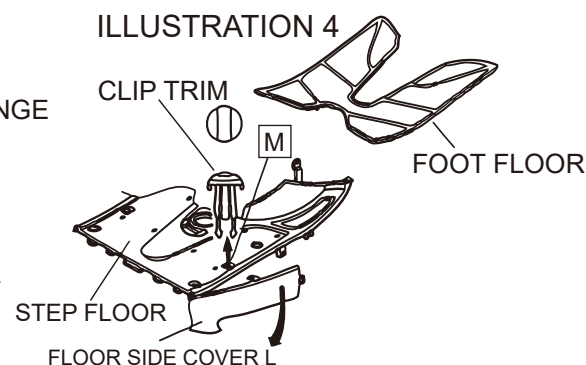
ILLUSTRATION 2



- 2) Remove under cover (J/K) bolt (screw special). (Recommend to use shock driver prevent from breaking screw when loosening bolt). Attach cut out sticker to under cover right end, then cut along dotted line by handsaw, etc.



- 3) Remove (L) bolt (rear brake stopper bracket).

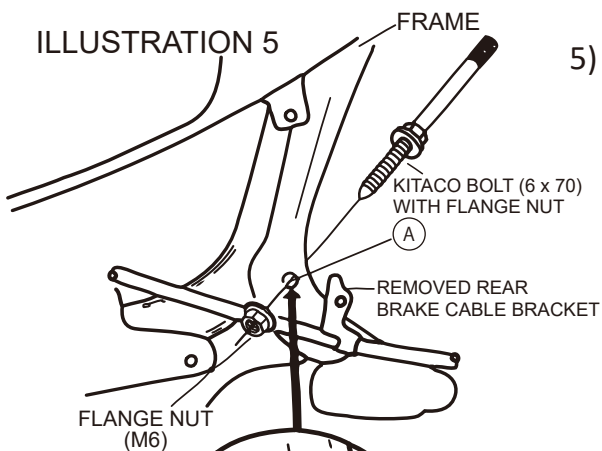


- 4) Flip mat floor L side a half and remove step floor (M) clip trim.

SIDE STAND HS-148 for LEAD50 / 100 No.2 /2

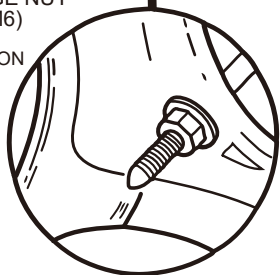
CODE 656-1010148

ILLUSTRATION 5



5) Tighten kitaco bolt with flange nut (6 x 70) from back side of the frame, flange nut (6mm) from front side.

ILLUSTRATION 6



6) Install side stand main unit ① (B) hole to frame (A) bolt (M6) from inside of rear brake cable. Tighten with flange nut (M6) lightly along to frame pipe.

ILLUSTRATION 7

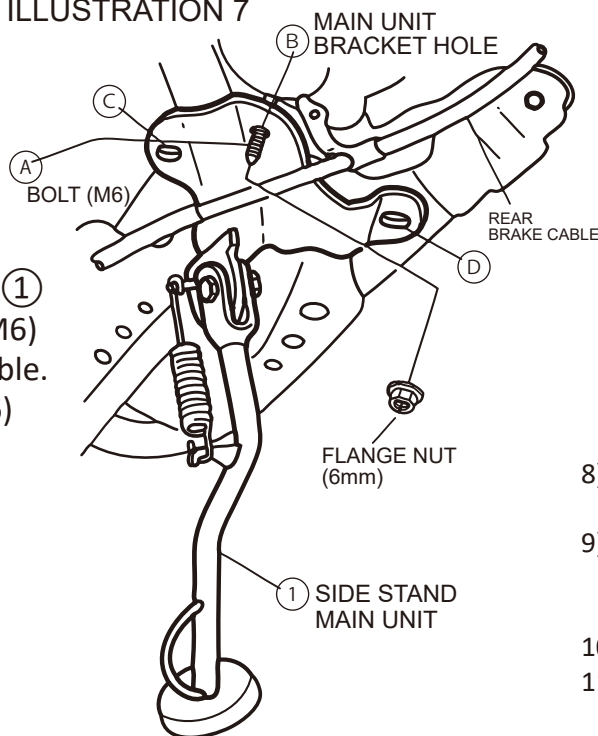
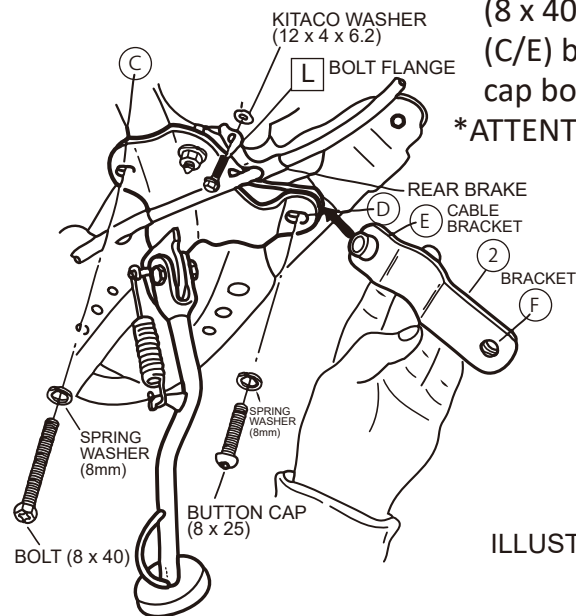


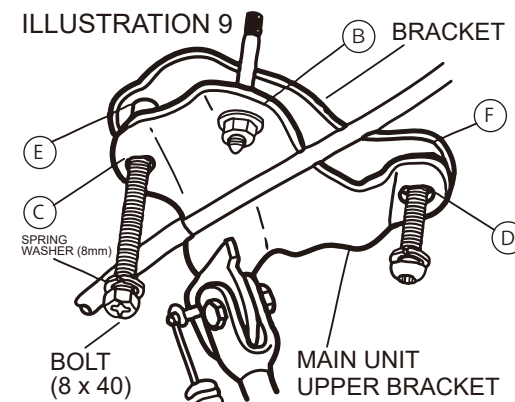
ILLUSTRATION 8



7) Install bracket ② to chassis pipe from back side, pull floor side cover L, tighten spring washer (M8), hexagon bolt (8 x 40) by plus driver from front side, (C/E) bolt (A) flange nut (D/F) button cap bolt alternately evenly.

*ATTENTION : Tighten one by one may cause of installation failure.

ILLUSTRATION 9



8) Up and down the side stand main unit to make sure not to move the stand bracket upper side. If it moves, tighten additionally.

9) In case of LEAD100 (in case of LEAD50, skip to step10), after installing side stand, install kitaco flat washer (12 x 4 x 6) to removed (L) bolt and rear brake cable bracket from inside and put it back.

10) Install floor side cover L and (M) clip trim to step floor as illustration 4.

11) Put the under cover back. If the side stand and cover interrupts each other, please shave by cutter knife, etc.,. Then install (J/K) bolt (screw special).

12) Install body side cover L, (G) bolt (with screw washer), (H) clip trim and (I) screw tapping.