

# SIDE STAND HS-150 for JULIO No.1/2

CODE 656-1010150

APPLICATION JULIO (AF52)

Thank you for purchasing Kitaco product. Read and understand the instruction before installing.

## ATTENTION (MUST READ)

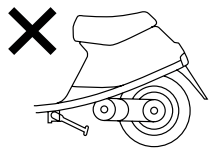
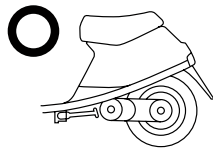
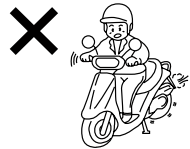
- ▲Pay attention to below to install side stand. Assembling mistake and improper setting may cause of trouble and accident.
- We are not responsible for violation of law or damages and accidents caused by assembling mistake and improper setting.
- Please ask authorized mechanic for assembling and setting. Ask a specialist at specialty shop if you do not understand the role of the surrounding parts.
- This product is designed and made exclusive for application models, do not use other models.
- The vehicle height is changed because of changing rear shock, etc may cause of falling because of stand degree. Please install with stock condition.
- After installation, move side stand back and forth, check the strage position and positon to stable vehicle.
- Do not shake or jump on the vehicle with using side stand. It might cause of breaking side stand, surrouding parts and accident.
- Do not over weight. It causes of falling.
- Bolts and nuts may get loosen by engine vibration. Make sure not to loosen any bolts and nuts before driving.
- Please give this instruction sheet when you sell to someone.



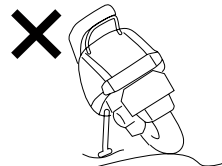
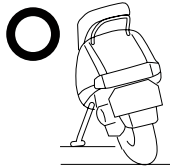
This instruction sheet is for who has basic maintenance knowledge. Do not operate if you do not have any skills and knowledge.



Do not modify the way which is not listed or it will cause damage and trouble.



Do not start engine with using side stand. It might cause of jump out the vehicle and falling. Please storage side stand before riding.



Do not use side stand on soft mud, bumpy road, etc. Check the side stand on the flat hard road to not falling before using side stand.

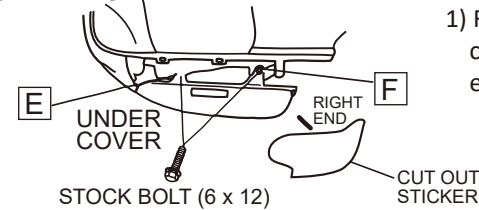
### PACKING LIST

NAME	QTY	NAME	QTY
1 STAND MAIN UNIT	1	8 6mm SPRING WASHER	1
2 BRACKET B	1	9 BRAKE WIRE BRACKET D	1
3 BRACKET C	1	10 M6 x 30 THREADED BOLT	1
4 M8 x 30 HEXAGON BOLT (with spring washer)	1	11 FLAT WASHER (16 x 6.5 x T1)	1
5 8mm NUT	1	12 CUT OUT STICKER	1
6 8mm SPRING WASHER	1	13 HANDSAW	1
7 M6 x 20 HEXAGON BOLT 7T	1	14 INSTRUCTION SHEET	1

REQUIRED TOOL : SPANNER / DRIVER

220702

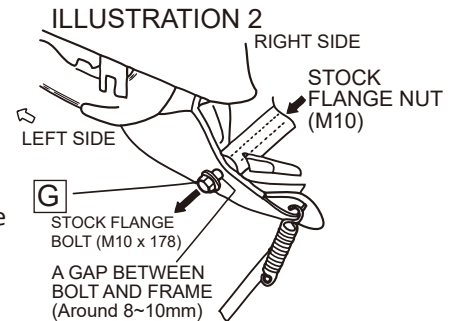
### ILLUSTRATION 1



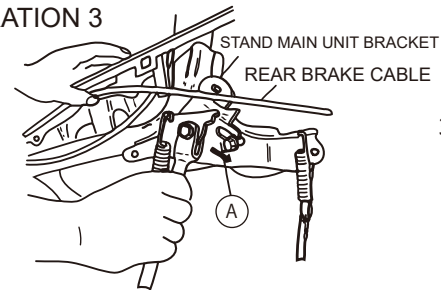
- 1) Remove (E)(F) stock bolt with washer of under cover. Attach cut out sticker to under cover right end and cut along dotted line with handsaw, etc.

- 2) Loosen (G) stock flange bolt (M10 x 178) flange nut on right side for around 8~10mm. (Do not remove, keep loosen.) Press out flange (G) head for 8~10mm lightly from loosen nut side.

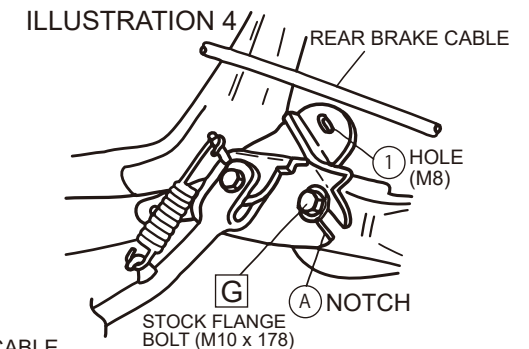
\* Right side flange nut tightened properly, if it is unable to loosen, please ask to shop.



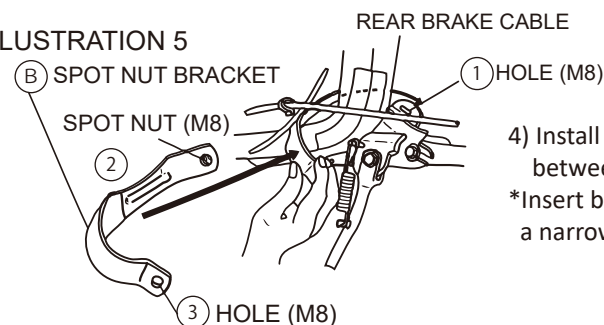
### ILLUSTRATION 3



- 3) Insert side stand (A) part to flange bolt (G) gap (around 8~10mm). At that time, insert while routing rear brake cable to outside.



### ILLUSTRATION 5



- 4) Install bracket (B) with (2) spot nut to a gap between frame and chassis pipe.

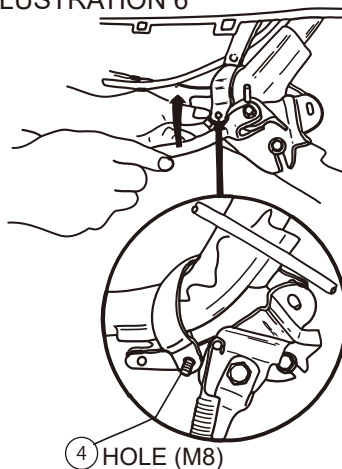
\*Insert bracket (B) spot nut side downward to a narrow gap.

# SIDE STAND HS-150 for JULIO No.2 /2

CODE 656-1010150

APPLICATION JULIO (AF52)

ILLUSTRATION 6



5) Lift the side and install ④ bolt (M8) to bracket (B) hole and hole ③. Lift side stand and tighten bolt (8 x 30) temporarily while matching bracket ① hole and bracket (C) hole ②. (Tighten firmly may cause of installation failure.)

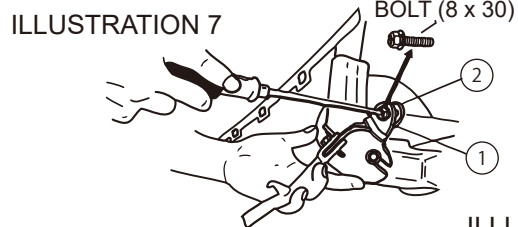
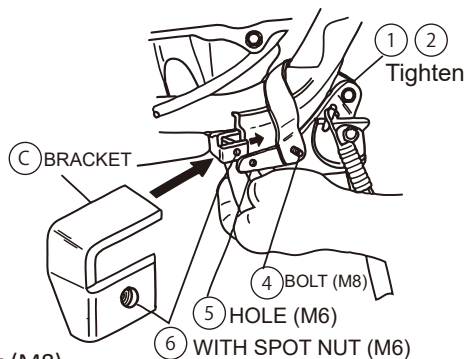


ILLUSTRATION 8



6) Tighten spring washer (M8) and nut (M8) to ④ bolt temporarily. Install bracket (C) to a gap between frame and chassis. Tighten spring washer (M6), bolt (M6 x 20) temporarily while matching ⑤ and ⑥ hole. Press (G) flange bolt (M10 x 178). Tighten ① ② bolt (M8 x 30), ④ nut (M8) and ⑤ ⑥ bolt (M6 x 20) alternately evenly.

ILLUSTRATION 9

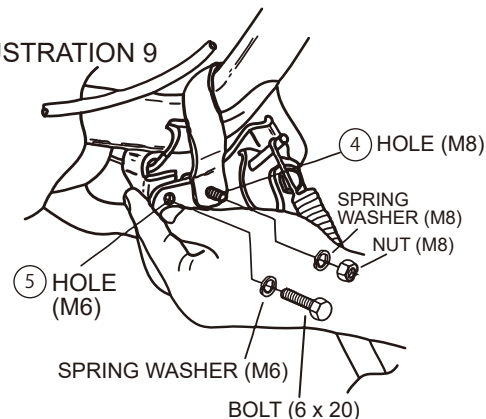


ILLUSTRATION 10

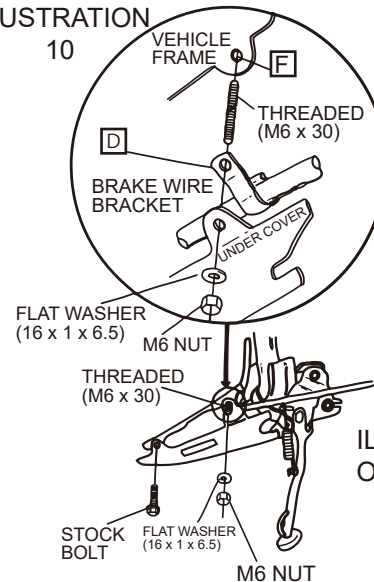
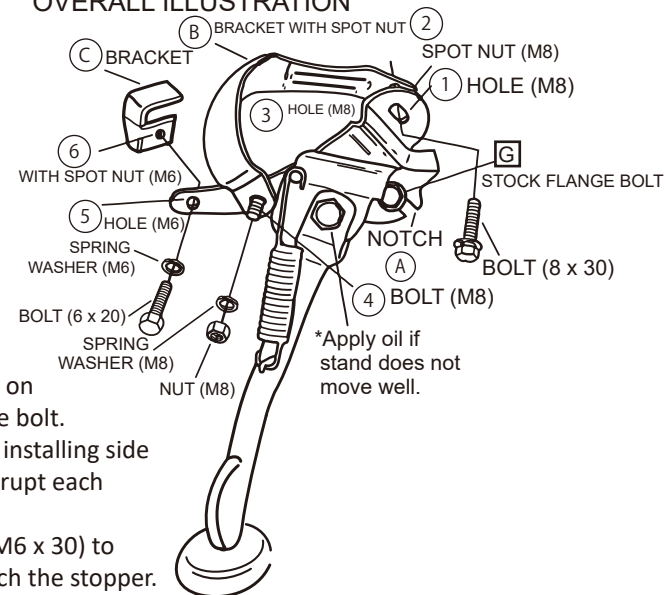


ILLUSTRATION 11  
OVERALL ILLUSTRATION



\*Apply oil if stand does not move well.

- 7) Tighten stock flange nut (M10) on the right side of (G) stock flange bolt.
- 8) Put the under cover back after installing side stand. At this time, if they interrupt each other, please shave.
- 9) Tighten Kitaco threaded bolt (M6 x 30) to vehicle frame (F) hole until touch the stopper. Install rear brake wire to Kitaco bracket, M6 x 30 bolt to bracket hole and under cover (F) hole. Tighten with flat washer, nut (6mm), (E) stock bolt (M6 x 12).