

SIDE STAND HS-151 for GIORNO CREA	
CODE	656-1010151
APPLICATION	GIORNO CREA / -DX

Thank you for purchasing Kitaco product. Read and understand the instruction before installing.

ATTENTION (MUST READ)

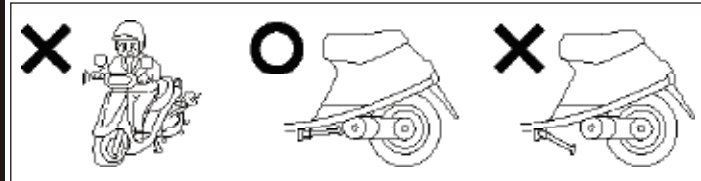
- ▲ Pay attention to below to install side stand. Assembling mistake and improper setting may cause of trouble and accident.
- We are not responsible for violation of law or damages and accidents caused by assembling mistake and improper setting.
- Please ask authorized mechanic for assembling and setting. Ask a specialist at specialty shop if you do not understand the role of the surrounding parts.
- This product is designed and made exclusive for application models, do not use other models.
- The vehicle height is changed because of changing rear shock, etc may cause of falling because of stand degree. Please install with stock condition.
- After installation, move side stand back and forth, check the strage position and positon to stable vehicle.
- Do not shake or jump on the vehicle with using side stand. It might cause of breaking side stand, surrounding parts and accident.
- Do not over weight. It causes of falling.
- Bolts and nuts may get loosen by engine vibration. Make sure not to loosen any bolts and nuts before driving.
- Please give this instruction sheet when you sell to someone.



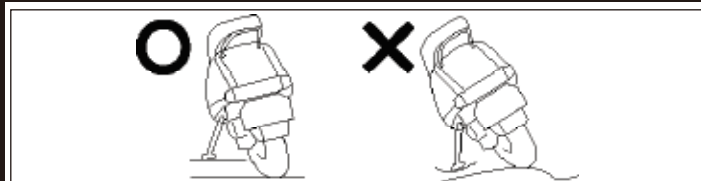
This instruction sheet is for who has basic maintenance knowledge. Do not operate if you do not have any skills and knowledge.



Do not modify the way which is not listed or it will cause damage and trouble.

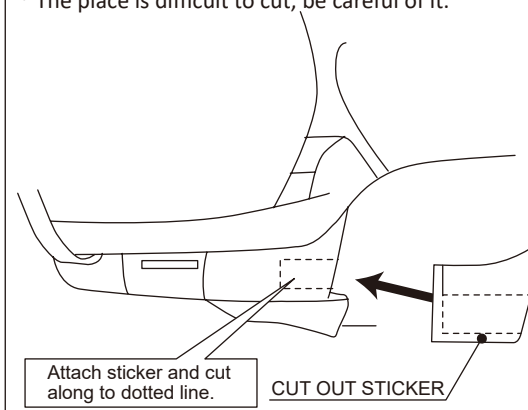


Do not start engine with using side stand. It might cause of jump out the vehicle and falling. Please storage side stand before riding.

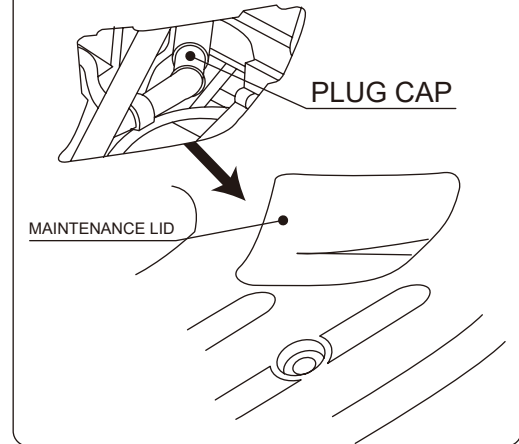


Do not use side stand on soft mud, bumpy road, etc. Check the side stand on the flat hard road to not falling before using side stand.

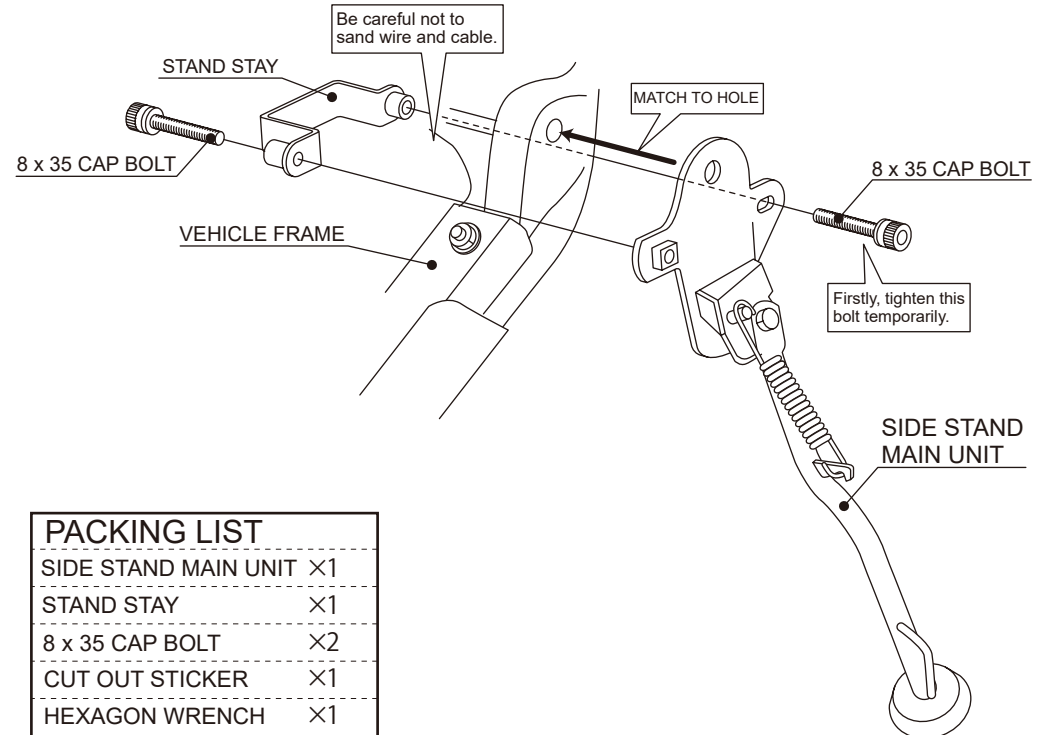
1. Attach sticker to vehicle left side under cover, then cut along to dotted line.
* The place is difficult to cut, be careful of it.



2. Open floor panel maintenance lid and remove plug cap.



3. Install stay and side stand between frame.
* Be careful not to sand wire, cable, etc.
* After installation, make sure side stand moves well. Apply oil if stand does not move well.
* If the under cover interrupts side stand, please shave it.
* If difficult to install bolt, remove under cover.
* After installation, put plug cap and maintenance lid back.



PACKING LIST

SIDE STAND MAIN UNIT	×1
STAND STAY	×1
8 x 35 CAP BOLT	×2
CUT OUT STICKER	×1
HEXAGON WRENCH	×1
HANDSAW	×1



210909
3-8-13 NAGATA,
HIGASHI-OSAKA,
OSAKA, JAPAN
<https://www.kitaco.co.jp/>