

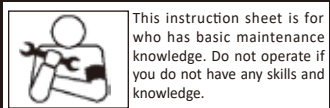
SIDE STAND HS-155	
CODE	656-1010155
APPLICATION	SMART DIO (AF56) / CREA SCOOPY (AF55)

Thank you for purchasing Kitaco product. Read and understand the instruction before installing.

ATTENTION (MUST READ)

▲ Pay attention to below to install side stand. Assembling mistake and improper setting may cause of trouble and accident.

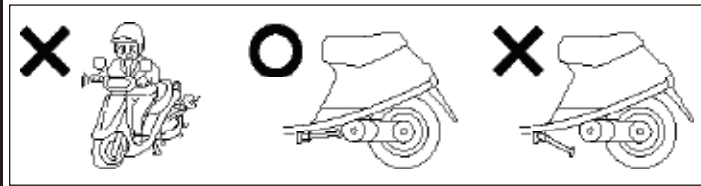
- We are not responsible for violation of law or damages and accidents caused by assembling mistake and improper setting.
- Please ask authorized mechanic for assembling and setting. Ask a specialist at specialty shop if you do not understand the role of the surrounding parts.
- This product is designed and made exclusive for application models, do not use other models.
- The vehicle height is changed because of changing rear shock, etc may cause of falling because of stand degree. Please install with stock condition.
- After installation, move side stand back and forth, check the strage position and positon to stable vehicle.
- Do not shake or jump on the vehicle with using side stand. It might cause of breaking side stand, surrouding parts and accident.
- Do not over weight. It causes of falling.
- Bolts and nuts may get loosen by engine vibration. Make sure not to loosen any bolts and nuts before driving.
- Please give this instruction sheet when you sell to someone.



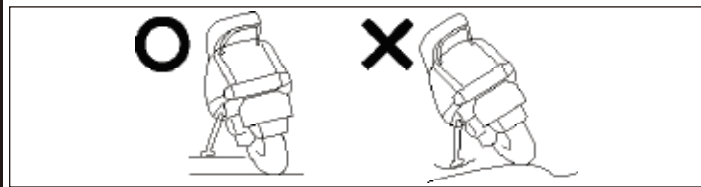
This instruction sheet is for who has basic maintenance knowledge. Do not operate if you do not have any skills and knowledge.



Do not modify the way which is not listed or it will cause damage and trouble.



Do not start engine with using side stand. It might cause of jump out the vehicle and falling. Please storage side stand before riding.



Do not use side stand on soft mud, bumpy road, etc. Check the side stand on the flat hard road to not falling before using side stand.

Do not over weight to carrier. It might cause of break.
LOADING LIMIT : TOTAL 6KG (FRONT 3KG / REAR 3KG)

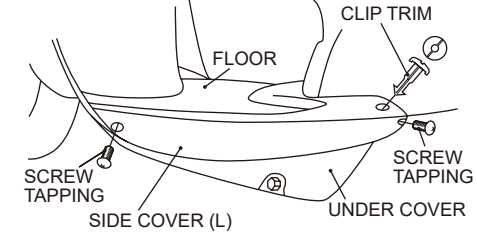
Do not use side stand for delivery.

Do not apply excessive force such as lifting vehicle, etc. Please use as support when turning vehicle. When loading down from front or rear carrier, please use center stand.

■HOW TO INSTALL

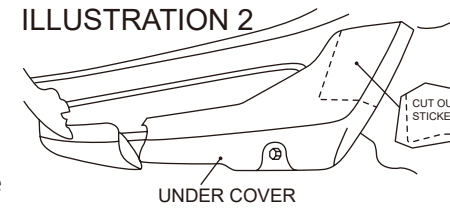
1, Remove side cover (L) tapping screw, clip trim. Move side cover a little bit for right to remove side cover not to break the claw.

ILLUSTRATION 1



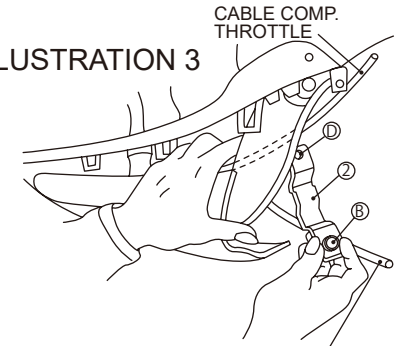
2, Remove under cover bolt, attach sticker and cut out with electric iron or handsaw. (It is difficult to cut. Be careful when cutting.)

ILLUSTRATION 2



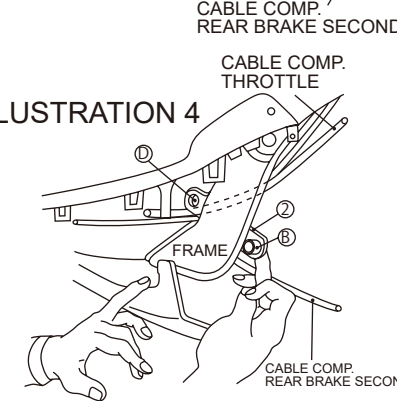
3, Install bracket from back side of the frame not to sand cable (COMP. throttle) to B while twisting it. (ATTENTION : Sand cable (COMP. throttle) inside may cause of sidestand installation failure. It is also dangerous that unable to use throttle wire.)

ILLUSTRATION 3



4, Install side stand to a gap between under cover and frame, insert stand main unit F to frame E hole to touch stopper to frame right end.

ILLUSTRATION 4



5, Tighten cap bolt to AB and CD hole a little, then tighten both by M8 socket wrench alternately evenly. (Tighten one by one may cause of installation failure.)

6, When installing side stand, please shave the under cover and side stand touching point by handsaw or knife.

7, Make sure not to loosen side stand after installation. If its loosen, tighten bolt additionally. Apply oil to U clamp if stand does not move well.

ILLUSTRATION 5

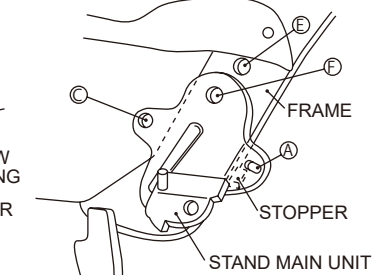
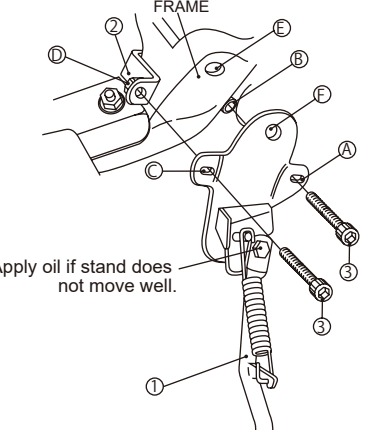
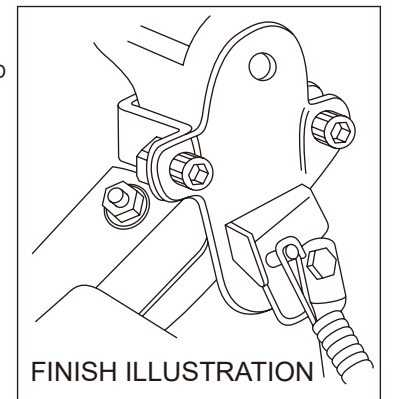


ILLUSTRATION 6



*Apply oil if stand does not move well.



8, Put the under cover, bolt, side cover (L) back. Tighten tapping screw and clip trim to finish intallation.

PACKING LIST		
No	NAME	QTY
1	SIDE STAND MAIN UNIT	x1
2	BRACKET	x1
3	CAP BOLT WITH SPRING WASHER (8 x 35)	x1
4	CUT OUT STICKER	x1
5	HANDSAW	x1
6	M8 SOCKET WRENCH	x1