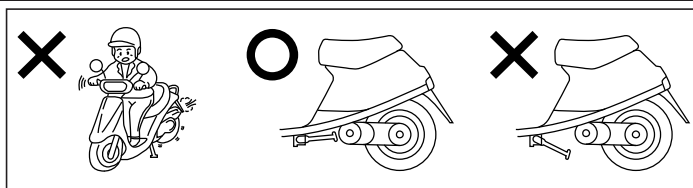
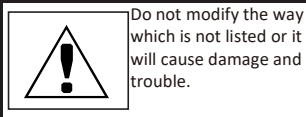
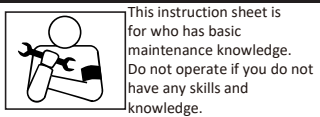


SIDE STAND HS-170	
CODE	656-1010170
APPLICATION	SUPER CUB 110 (JA59)

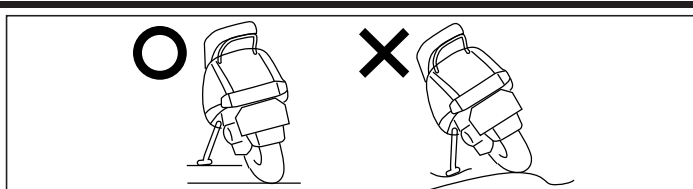
Thank you for purchasing Kitaco product. Read and understand the instruction before installing.

ATTENTION (MUST READ)

- ▲ Pay attention below to install side stand. Assembling mistake and improper setting may cause of trouble and accident.
- We are not responsible for violation of law or damages and accidents caused by assembling mistake and improper setting.
- Please ask authorized mechanic for assembling and setting. Ask a specialist at specialty shop if you do not understand the role of the surrounding parts.
- This product is designed and made exclusive for application models, do not use other models.
- The vehicle height is changed because of changing rear shock, etc may cause of falling because of stand degree. Please install with stock condition.
- After installation, move side stand back and forth, check the strage position and positon to stable vehicle.
- Do not shake or jump on the vehicle with using side stand. It might cause of breaking side stand, surrounding parts and accident.
- Do not over weight. It causes of falling.
- Bolts and nuts may get loosen by engine vibration. Make sure not to loosen any bolts and nuts before driving.
- Please give this instruction sheet when you sell you someone.



Do not start engine with using side stand. It might cause of jump out the vehicle and falling. Please storage side stand before riding.



Do not use side stand on soft mud, bumpy road, etc. Check the side stand on the flat hard road to not falling before using side stand.

Do not over weight to carrier. It might cause of break.
WEIGHT LIMIT : TOTAL 6kg (FRONT 3kg / REAR 3kg)

Do not use this side stand when delivery.

Do not apply excessive force like lifting the vehicle using carrier. When turning the vehicle, use it to helping tool. Please use center stand when unloading luggage from front carrier or heavy luggage.

Fig. I

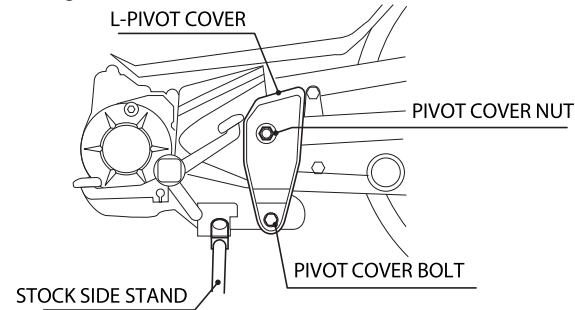
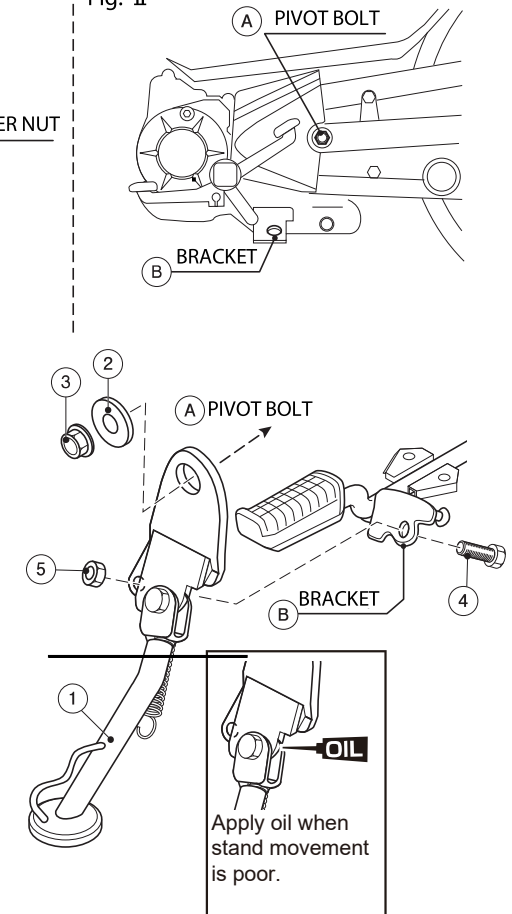


Fig. II



PACKING LIST

No.	NAME	QTY
1	STAND MAIN UNIT	x1
2	FLAT WASHER 32x10.5x3mm	x1
3	FLANGE NUT 10mm	x1
4	HEXAGONAL BOLT M12x30mm	x1
5	U NUT 12mm	x1
6	INSTRUCTION SHEET	x2

HOW TO INSTALL

*When installing side stand, please use center stand.

- 1) Remove stock side stand and L side pivot cover.
- 2) Temporarily fasten the side stand plate to the pivot bolt position on the swing arm (Fig. II A) with ② washer and ③ flange nut (10mm). (At this time, push the side stand plate into the nut part at the root of the pivot bolt side.)
- 3) Install ④ M12 bolt and ⑤ U nut (12mm) to B) side stand bracket temporarily.
- 4) Tighten (A / B) bolt and nut alternately evenly.