

**SIDE STAND SWITCH CANCELLER E**

CODE : 676-9000940

## APPLICATION

PCX125 (JK05) / PCX160 (KF47) / DIO110 (JK03) / FORZA (MF15) / GB350 (NC59) / CT125 HUNTER CUB (JA55/65)  
 ※Compatible with stock code side stand switch.  
 35700-K1A-N01 / 35700-K0J-N01

## ATTENTION!

This product is to cancel engine stop function with the side stand down.  
 It is dangerous to use side stand while engine is running.  
 Please understand before installation.

Thank you for purchasing Kitaco product.

Read and understand the instruction before installing.

**ATTENTION (MUST READ)**

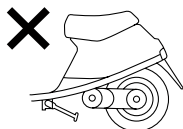
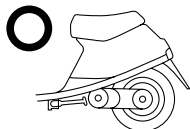
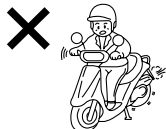
## ▼ Be careful of the below when installation.

Incorrect installation and carelessness might cause of trouble, accident and out of warranty. Be careful of it.

- We are not responsible for violation of law or damages and accidents caused by assembling mistake and improper setting.
- Please ask authorized mechanic for assembling and setting. Ask a specialist at specialty shop if you do not understand the role of the surrounding parts.
- This product is designed and made exclusive for application models, do not use other models.
- After installation, make sure not to stop engine with side stand up/down.
- Do not shake or jump the vehicle with side stand down. It might cause of breaking of this product, vehicle and accident.
- Bolts and nuts may get loosen by engine vibration. Make sure not to loosen any bolts and nuts before driving.
- In case of hand over this product or installed vehicle, give them with this instruction sheet.
- Make sure not to loosen any bolts and nuts before riding. If they are loosing, please tighten additionally.



This instruction sheet is for the person who has basic knowledge for maintenance. Do not operate if you do not have skill and knowledge.

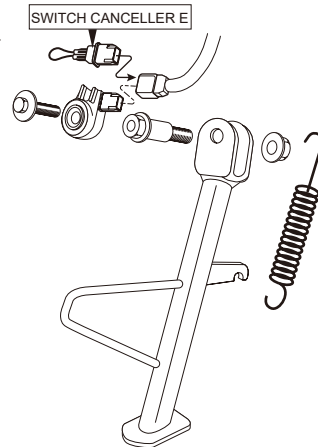
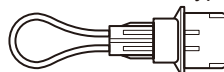


Do not drive with side stand down. It might cause of vehicle getting caught or falling.

When taking off, make sure side stand is in the up position. Do not ride with side stand down.

**INSTALLATION REFERENCE ILLUSTRATION**

- ※ Do not over tighten bolts. It cause of break.
- ※ When stand is up, make sure stand moves smoothly.

**SIDE STAND SWITCH CANCELLER type E**

210611