

# FRONT FENDER

|             |                      |
|-------------|----------------------|
| CODE        | (CARBON) 680-1432700 |
| APPLICATION | GROM (JC61)          |

Thank you for purchasing Kitaco product. Read and understand the instruction before installing.

## ATTENTION (MUST READ)

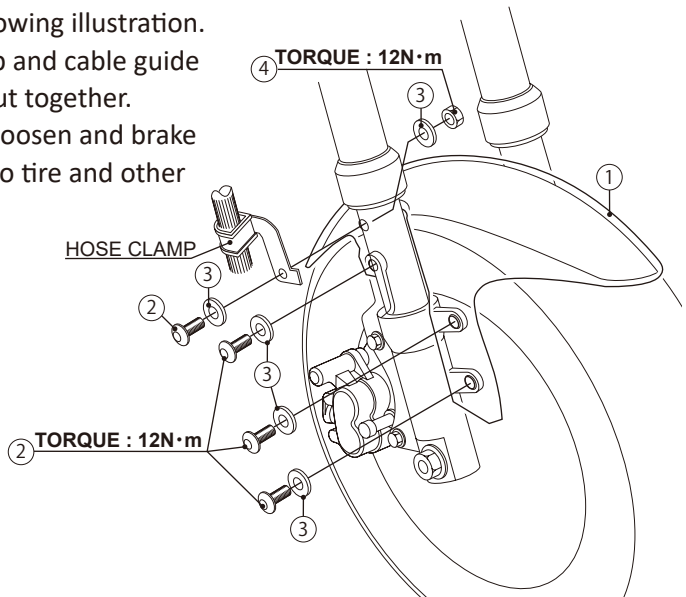
- This product is designed and made exclusive for application models, do not use other models. Do not modify the way which is not listed or it will cause damage and trouble.
- We are not responsible for violation of law or damages and accidents caused by assembling mistake and improper setting.
- Please ask authorized mechanic for assembling and setting. Ask a specialist at specialty shop if you do not understand the role of the surrounding parts.
- Refer to the manufacturer service manual when installation.
- Bolts and nuts may get loosen by engine vibration. Make sure not to loosen any bolts and nuts before driving.
- FRP material get fire easily. If a fire broke out by accident, etc, run away fastly. Do not start installation near fire.
- Fibers might sting hands, please wear gloves, etc to installation.
- Polish the surface by compound.
- Please do adequate ventilation. Resin and hardening material might be vaporization from new product. It is harmful doing installation in a closed room for a long time.
- This instruction sheet is for the instruction for stock condition.

## HOW TO INSTALL

- 1) Remove cap nut, brake hose clamp, bolt, collar and grommet, then remove stock front fender from fork.
- 2) Install Kitaco fender with attached bolts and washers as following illustration. Tighten brake hose clamp and cable guide with attached bolt and nut together.
- 3) Make sure fender is not loosen and brake hose does not interrupt to tire and other parts before riding.

| PACKING LIST |                 |             |
|--------------|-----------------|-------------|
| FIGURE       | NAME            | QTY         |
| 1            | FRONT FENDER    | × 1         |
| 2            | BUTTON CAP BOLT | M6 × 10 × 7 |
| 3            | FLAT WASHER     | 6mm × 7     |
| 4            | NUT             | 6mm × 1     |

※ Illustration is right side, please install left side as same.



150908

  
株式会社 豊平

3-8-13 NAGATA,  
HIGASHI-OSAKA,  
OSAKA, JAPAN

<http://www.kitaco.co.jp/>