

WIDE CHAIN GUIDE PLATE

CODE	683-1456400
APPLICATION	SUPER CUB 110 (JA59) / CROSS CUB 110 (JA60)

- Thank you for purchasing Kitaco product.
Read and understand the instruction before installing.

ATTENTION (MUST READ)

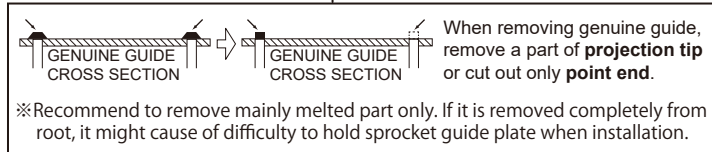
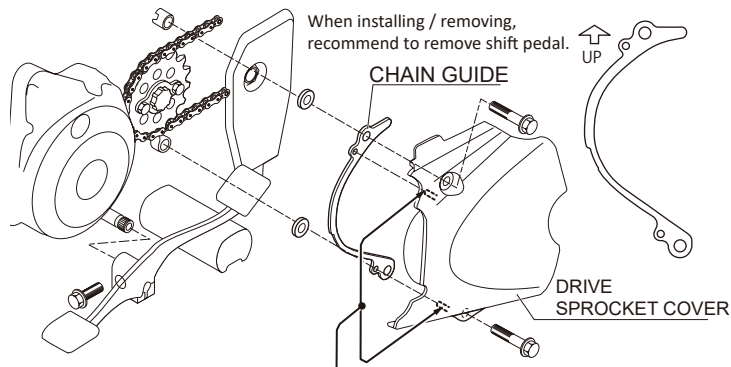
- This product is designed and made exclusive for application models, do not use other models. Do not modify the way which is not listed or it will cause damage and trouble.
- We are not responsible for violation of law or damages and accidents caused by assembling mistake and improper setting.
- Please ask authorized mechanic for assembling and setting.
- Refer to the manufacturer service manual when installation.
- Bolts and nuts may get loosen by engine vibration. Make sure not to loosen any bolts and nuts before driving.
- This instruction sheet is for the instruction for genuine condition.
- ※ Metal/resin products get discolored/rust for ages as well as how to use.
Please understand when using.

APPLICATION MODEL SPECIFICATION	STANDARD DRIVE SPROCKET TEETH	CHAIN SIZE	KITACO GUIDE PLATE COMPATIBLE MAXIMUM TEETH
SUPER CUB 110 (JA59)	14T	428	MAX 16T
CROSS CUB 110 (JA60)	14T	428	

PACKING LIST		
NAME	CODE	QTY
WIDE CHAIN GUIDE PLATE	683-1452400	1
WASHER 6.5x14.0xT2.3	090-0065140	2

※ Refer to the manufacturer service manual when installation.

- Remove genuine chain guide from drive sprocket cover.
(The chain guide might be stuck to drive sprocket cover, please remove the projection tip to remove genuine chain guide)
Check the chain guide shape and install following below.
- Match chain guide plate to drive sprocket cover tips, then install attached washer 6mm and tighten together with sprocket cover bolt.



※ This product is not to protect the interface of drive chain, crank case, etc. If the drive chain is not stable, adjust tension regularly.