

UNDER CARGO PLATE	
CODE	687-1155000
APPLICATION	ZOOMER-X (JF52)

●Thank you for purchasing Kitaco product. Read and understand the instruction before installing.


### ATTENTION (MUST READ)


- This product is designed and made exclusive for application models, do not use other models. Do not modify the way which is not listed or it will cause damage and trouble.
  - We are not responsible for violation of law or damages and accidents caused by assembling mistake and improper setting.
  - Please ask authorized mechanic for assembling and setting.
  - Refer to the manufacturer service manual when installation.
  - Bolts and nuts may get loosen by engine vibration. Make sure not to loosen any bolts and nuts before driving.
  - This instruction sheet is for the instruction for stock condition.
- ※Metal/resin products get discolored/rust for ages as well as how to use. Please understand when using.

### ALUMITE PRODUCTS

It may get discolored, etc for ages. Please understand before installation.

PACKING LIST		
NAME	QTY	REMARK
UNDER CARGO PLATE (A)	× 1	
UNDER CARGO PLATE (B)	× 1	
COLLAR $\phi 5 \times \phi 10 \times 7$	× 4	
TAPPING SCREW (SUS) M4X20	× 4	<b>TORQUE : 4N·m(0.4kgf·m)</b>
TAPPING SCREW (SUS) M4X8	× 6	<b>TORQUE : 4N·m(0.4kgf·m)</b>
DOUBLE-SIDED TAPE L250mm	× 1	

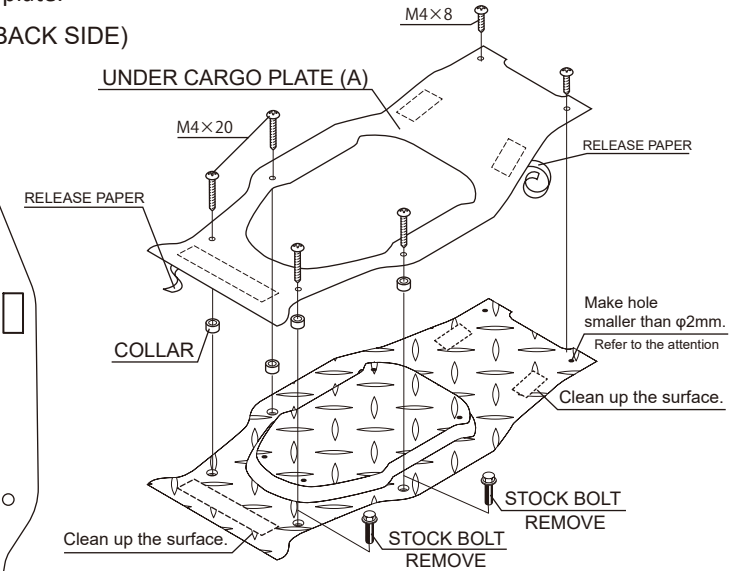
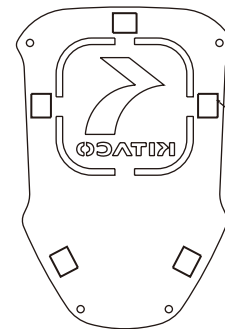
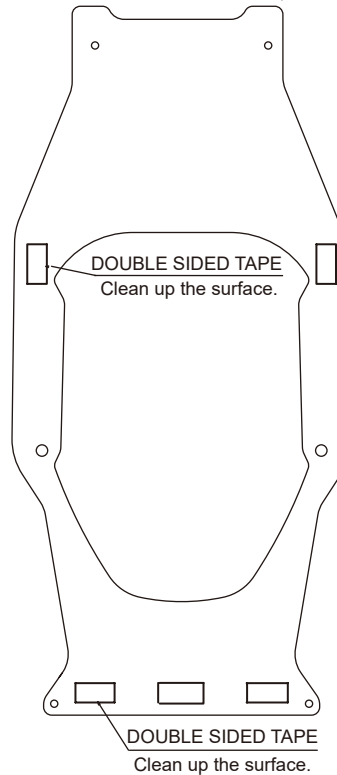
 There might be burr on edges. Be careful of handling and wear gloves, etc when installation.

 Due to the material characteristic, this is not freely transformable like rubber sheet. If the curve does not match, install with modifications.

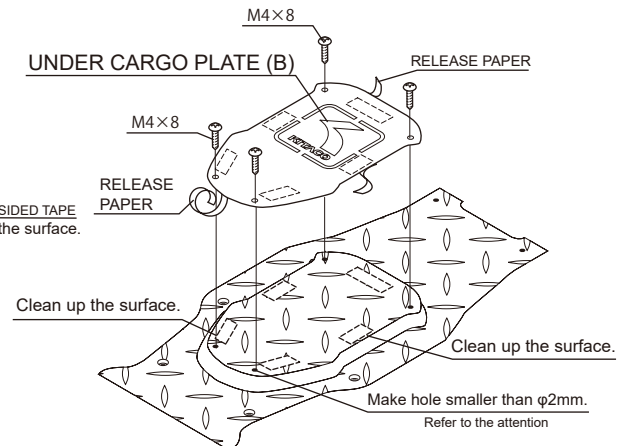
### HOW TO INSTALL

- Install Kitaco cargo plate temporarily as following stock ones shape.
- Make a hole with drill smaller than  $\phi 2\text{mm}$  to stock floor board tapping screw installation point. (ATTENTION : Making hole process might break the parts under cargo board, be careful when processing.)
- Cut the attached double sided tape as favorite size, install evenly as following below. (Clean up each board surface before installation.)
- After decided where to install, pull rest of release paper and fix with attached tapping screw while pushing Kitaco cargo plate.

#### UNDER CARGO PLATE (A BACK SIDE)



The longer point of double sided tape, fold release paper both edge to outside before installation.  
Pull release paper once decide where to install.



130417 M-T



3-8-13 NAGATA,  
HIGASHI-OSAKA,  
OSAKA, JAPAN