

FENDER LESS KIT NO,1/1

CODE : 691-1437000

APPLICATIONS : Dio 110 (JF58)

●Thank you for purchasing Kitaco product. Read and understand the instruction before installing.

ATTENTION (MUST READ)

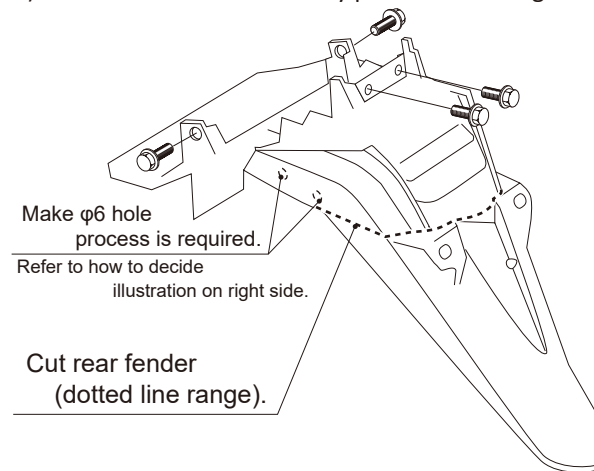
- This instruction sheet is for the instruction for stock condition.
- This product is for dress-up. Do not use for other purposes.
- This product is designed and made exclusive for application models, do not use other models. Do not modify the way which is not listed or it will cause damage and trouble.
- We are not responsible for violation of law or damages and accidents caused by assembling mistake and improper setting.
- Please ask authorized mechanic for assembling and setting. Ask a specialist at specialty shop if you do not understand the role of the surrounding parts.
- Refer to the manufacturer service manual when installation.
- Bolts and nuts may get loosen by engine vibration. Make sure not to loosen any bolts and nuts before driving.

PACKING LIST

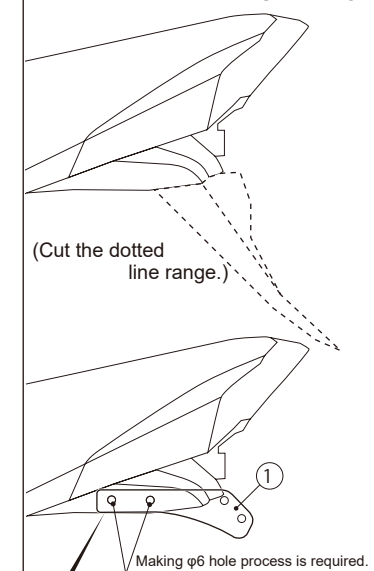
FIGURE	NAME	CODE	QTY
1	FENDER LESS PLATE	-	× 1
2	BUTTON CAP BOLT M6X15	060-0551015	× 8
3	WASHER 6X13XT 1.0	090-0900006	× 8
4	SPRING WASHER 6mm	091-0500006	× 8
5	NUT 6mm	001-0500006	× 8

HOW TO INSTALL

- 1) Cut and making hole process to rear fender unnecessary part. (Refer to the illustration)
 ※Install attached fender less plate to stock fender temporarily enable to mark cleary processing point.
 ※In case of processing with removing stock rear fender, remove covers. (Be careful not to break cover claws when installing/removing)
- 2) Make sure not to loosen any part before riding.



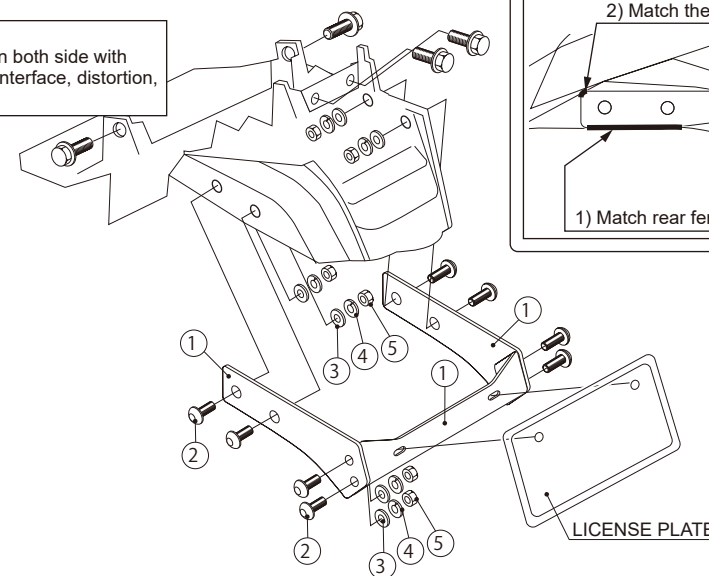
REAR FENDER SIDE ILLUSTRATION



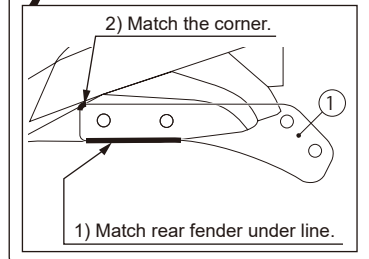
- ※Basically, reuse stock parts if it is unattached.
- ※If there is a hard degradation like a blem, fatigue and wear etc on the reuse parts, please change to new ones.

POINT!

Tighten evenly on both side with adjust for not to interface, distortion, etc on stay.



HOW TO DECIDE WHERE TO MAKE HOLE



150714 Y-H