

FENDER LESS KIT NO,1 /2

CODE : 691-1850100

APPLICATION : CB250R (MC52) / CB125R (JC79 / 91)

●Thank you for purchasing Kitaco product. Read and understand the instruction before installing.

ATTENTION (MUST READ)

- This product is for genuine condition.
- This product is for dress-up. Do not use for other purposes.
- This product is designed and made exclusive for application vehicles, do not use other models. Do not modify the way which is not listed or it will cause damage and trouble.
- We are not responsible for violation of law or damages and accidents caused by assembling mistake and improper setting.
- Please ask authorized mechanic for assembling and setting.
- Refer to the manufacturer service manual when installation.
- Bolts and nuts may get loosen by engine vibration. Make sure not to loosen any bolts and nuts before driving.

PACKING LIST				
FIGURE	NAME		CODE	QTY
1	CENTER PLATE	CB250R	691-1850105	1
2	SIDE PLATE L	CB250R	691-1850103	1
3	SIDE PLATE R	CB250R	691-1850104	1
4	WINKER STAY	CB250R	691-1850101	1
5	WINKER SPACER		691-1840002	2
6	SPACER COLLAR (BLACK)	6.2x11xL8mm	093-0800003	4
7	SPRING WASHER (BLACK)	6mm	091-0500106	8
8	WASHER (BLACK)	6x13x1.0	090-0900106	12
9	BUTTON CAP BOLT (BLACK)	M6x15	060-0551015	4
10	BUTTON CAP BOLT (BLACK)	M6x25	060-0551025	4
11	NUT	6mm	001-0500006	4
12	LED LICENSE LAMP	CB250R	691-1850106	1
13	LED LAMP CHANGING HARNESS		691-1850107	1
14	TIE BAND MS TIE	152 x 3.5mm	700-9200152	4
15	HARNESS CLIP	6mm	751-9000002	3

OPTION PARTS (Please purchase separately)				
FIGURE	NAME		CODE	QTY
OP	REFLECTOR KIT (126cc~)		801-0800300	1
OP	REFLECTOR KIT (50~125cc)		801-0800310	1
-	125cc LICENSE MARK STICKER & BRACKET SET		801-0800920	1

■HOW TO INSTALL

(Illustration is just a reference. Please refer to the manufacturer service manual.)

1) Remove front seat (only for 125cc), rear seat and rear fender A (bracket).

(Remove other parts to ease installation.)

※Be careful not to break cowl nails when installing / removing.

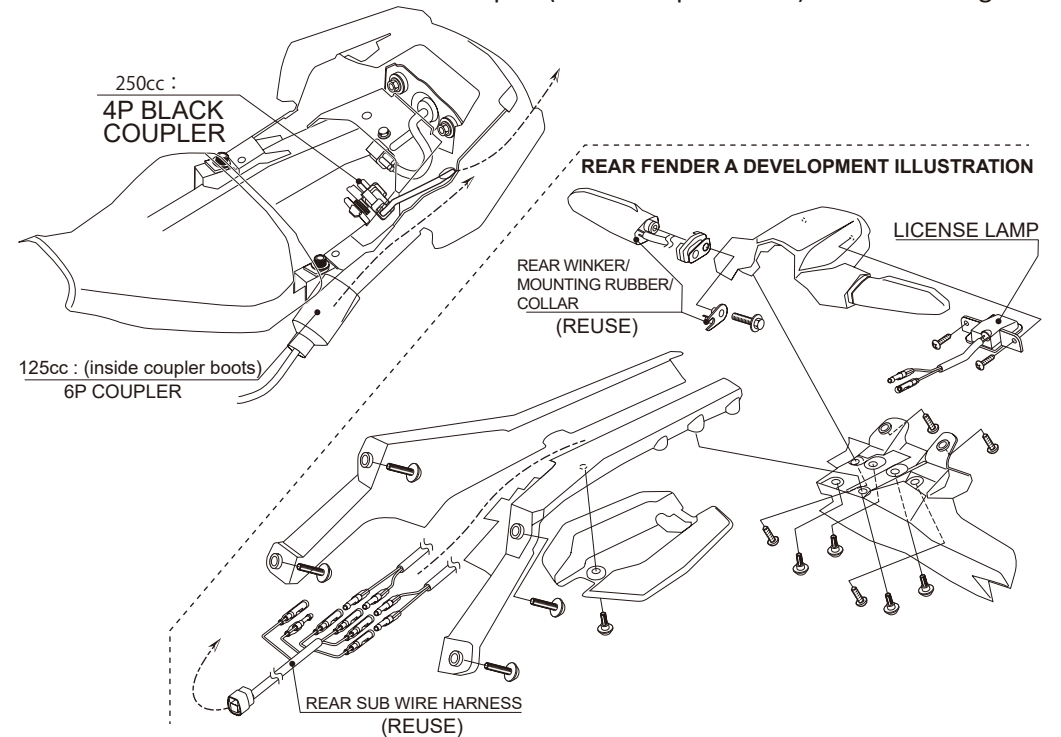
※Remove connection of winker and license lamp terminal.

(CONTINUE TO OTHER PAPER NO,2)

REAR SUB WIRE HARNESS COUPLER POSITION

o250cc : Rear sub wire harness 4P (BLACK) coupler

o125cc : Rear sub wire harness 6P coupler (inside coupler boots) ※Remove single seat.



FENDER LESS KIT NO.2 /2

CODE : 691-1850100

APPLICATION : CB250R (MC52) / CB125R (JC79 / 91)

■HOW TO INSTALL (Illustration is just a reference. Please refer to the manufacturer service manual.)

2) Install attached fender less parts. (Refer to the illustration.) Reuse genuine winker.

※After route and connect each wire, please tie extra wire to frame, etc with attached harness clamp not to hang down.

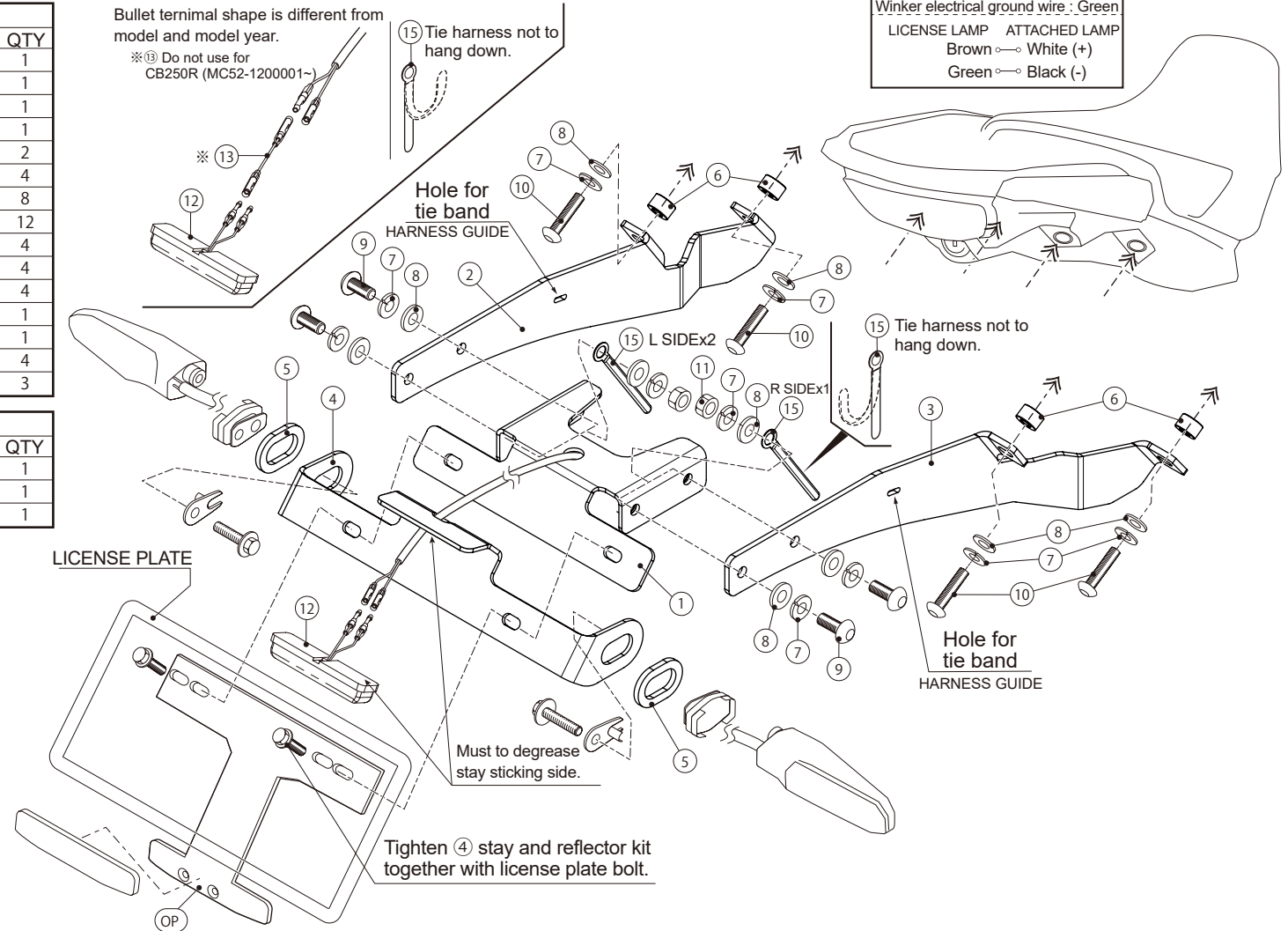
3) Tighten temporarily tightened bolts firmly. Make sure not to loosen any parts or each lamps work correctly before riding.

※Basically, reuse genuine parts if it is unattached.

※If there is a hard degradation like a blem, fatigue and wear etc on the reuse parts, please change to new ones.

PACKING LIST				
FIGURE	NAME		CODE	QTY
1	CENTER PLATE	CB250R	691-1850105	1
2	SIDE PLATE L	CB250R	691-1850103	1
3	SIDE PLATE R	CB250R	691-1850104	1
4	WINKER STAY	CB250R	691-1850101	1
5	WINKER SPACER		691-1840002	2
6	SPACER COLLAR (BLACK) 6.2x11xL8mm		093-0800003	4
7	SPRING WASHER (BLACK) 6mm		091-0500106	8
8	WASHER (BLACK) 6x13x1.0		090-0900106	12
9	BUTTON CAP BOLT (BLACK) M6x15		060-0551015	4
10	BUTTON CAP BOLT (BLACK) M6x25		060-0551025	4
11	NUT 6mm		001-0500006	4
12	LED LICENSE LAMP	CB250R	691-1850106	1
13	LED LAMP CHANGING HARNESS		691-1850107	1
14	TIE BAND MS TIE 152 x 3.5mm		700-9200152	4
15	HARNESS CLIP 6mm		751-9000002	3

OPTION PARTS (Please purchase separately)				
FIGURE	NAME		CODE	QTY
OP	REFLECTOR KIT (126cc~)		801-0800300	1
OP	REFLECTOR KIT (50~125cc)		801-0800310	1
-	125cc LICENSE MARK STICKER & BRACKET SET		801-0800920	1



230411 Y-H