

FENDER LESS KIT NO,1/2	
CODE : 691-2805000	APPLICATION : GIXXER 250 / SF250 (ED22B / Y)

●Thank you for purchasing Kitaco product. Read and understand the instruction before installing.

ATTENTION (MUST READ)

- This instruction sheet is for the instruction for stock condition.
- This product is for dress-up. Do not use for other purposes.
- This product is designed and made exclusive for application model, do not use other models. Do not modify the way which is not listed or it will cause damage and trouble.
- We are not responsible for violation of law or damages and accidents caused by assembling mistake and improper setting.
- Please ask authorized mechanic for assembling and setting. Ask a specialist at specialty shop if you do not understand the role of the surrounding parts.
- Refer to the manufacturer service manual when installation.
- Bolts and nuts may get loosen by engine vibration. Make sure not to loosen any bolts and nuts before driving.

PACKING LIST				
FIGURE	NAME	CODE	QTY	REMARK
1	LICENSE PLATE BASE	691-2805002	1	
2	BASE STAY	691-2805001	1	
3	COUNTERSUNK CAP BOLT	M6x15	063-0600015	2
4	TIE WRAP (BLACK) MS TIE	100x2.5	700-9200100	4 Tie and fix harness.
5	REFLECTOR (SLIM)	19x98	801-0800003	1
6	LED LICENSE LAMP ASSY	GIXXER 250	691-2805003	1
7	WASHER	3mm	-	2
8	NUT	3mm	-	2
9	PROTECT CAP (BLACK)	φ2.5	998-9000201	2

■HOW TO INSTALL

(Illustration is just a reference. Refer to the service manual when installing.)

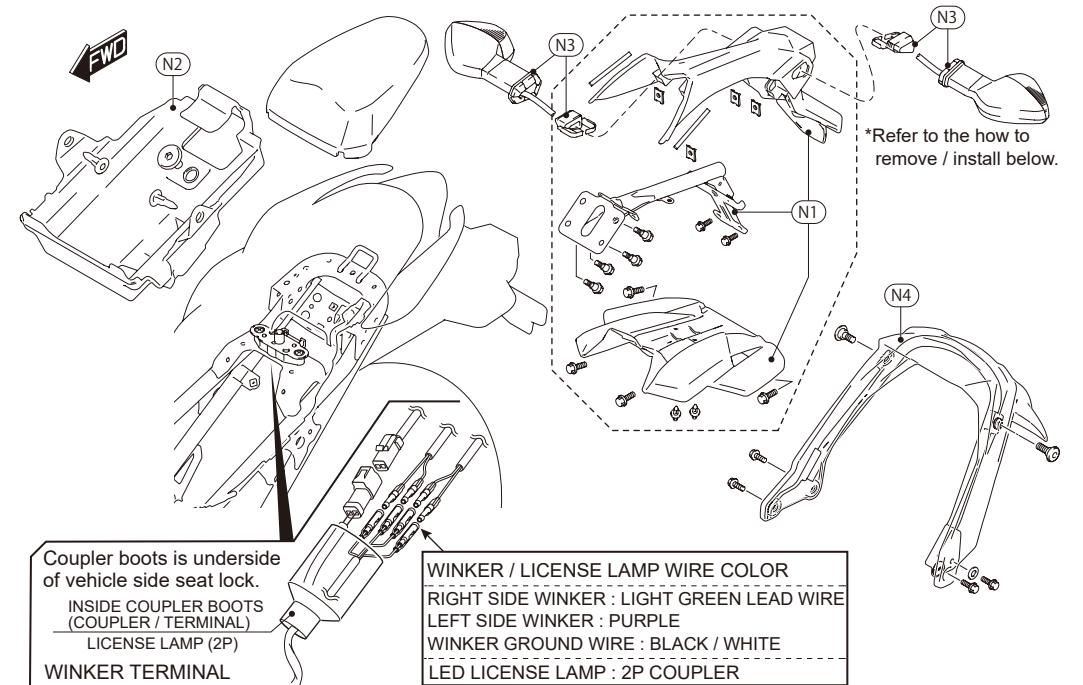
- 1) Remove tandem seat and tool holder (push rivet / low head cap bolt). (Remove some other parts that ease to installation.)
- 2) Disconnect winker terminal and license lamp connector from harness boots under the vehicle side seat lock.
- 3) Remove rear fender assy (bracket). (Remove stock rear fender while disconnecting winker and license lamp wire from vehicle side bracket.)

*Be careful not to break cover claws when removing / installing.

[Continue to No,2]

REMOVING / INSTALLING STOCK REAR FENDER / WINKER LIGHT

STOCK PARTS				
FIGURE	NAME	QTY	REMARK	
N1	REAR FENDER ASSY	x1	Reuse M6x17 flange bolt (x4)	
N2	TOOL HOLDER	x1	Reuse	
N3	REAR WINKER / LOCK BRACKET (L / R)	1 EACH	Reuse	
N4	REAR LOWER FENDER ASSY	x1	Do not use	



(N3) REMOVING STOCK REAR WINKER

1, UNLOCK
1, Pull lock bracket out from stock winker.
*Lock bracket is stuck and fixed into stock winker. It is so hard but pull to remove.
2, Push the stock winker base by finger to pulling out from stock rear fender.

2, PULL OUT WINKER
Push from upper and lower by finger, pull out from rear fender.

FENDER LESS KIT NO.2/2	
CODE : 691-2805000	APPLICATION : GIXXER 250 / SF250 (ED22B / Y)

■HOW TO INSTALL (Illustration is just a reference. Refer to the service manual when installing.)

4) Install attached fender less parts. (Refer to the illustration) Reuse stock winker.

*After routing and connecting each wire (refer to the illustration), tie to frame, etc with attached tie wrap not to hang down.

5) Tighten temporarily tightened bolts firmly. Make sure not to loosen any parts and each lamps work correctly before riding.

PACKING LIST					
FIGURE	NAME	CODE	QTY	REMARK	
1	LICENSE PLATE BASE	691-2805002	1		
2	BASE STAY	691-2805001	1		
3	COUNTERSUNK CAP BOLT	M6x15	063-0600015	2	
4	TIE WRAP (BLACK) MS TIE	100x2.5	700-9200100	4	Tie and fix harness.
5	REFLECTOR (SLIM)	19x98	801-0800003	1	
6	LED LICENSE LAMP ASSY	GIXXER 250	691-2805003	1	
7	WASHER	3mm	-	2	
8	NUT	3mm	-	2	
9	PROTECT CAP (BLACK)	φ2.5	998-9000201	2	

STOCK PARTS (REUSE)			
FIGURE	NAME	QTY	REMARK
N1	M6x17 FLANGE BOLT	x4	TORQUE : 12N · m
N3	REAR WINKER / LOCK BRACKET (L / R)	1 EACH	

BOLT / NUT TORQUE

6mm	10 ~12N·m (1.0~1.2kgf·m)
3mm	1 N·m (0.1kgf·m)

*Basically, reuse genuine parts if it is unattached.

*If there is a hard degradation like a blem, fatigue and wear etc on the reuse parts, please change to new ones.

