

REAR HUB DAMPER kit (K-PIT)		CODE : 70-508-14321	
APPLICATION :			
GROM (JC61/75/92)	SUPER CUB 50 (AA04/09)		
MONKEY 125 (JB02/03)	SUPER CUB 110 (JA07/10/44/59)		
DAX 125 (JB04)	ATTENTION! ※These vehicle cannot use.		
SUPER CUB C125 (JA48/58)	※Super cub - pro ※Cross cub 50/110		

● Thank you for purchasing Kitaco product.

Read and understand the instruction before installing.

ATTENTION!

- This product is genuine equivalent spare parts.
- This product is designed and made exclusive for application vehicles, do not use other models.

ATTENTION!

- Please ask authorized mechanic for assembling and setting. Ask a specialist at specialty shop if you do not understand the role of the surrounding parts.
- Please do installation on flat surface to avoid falling when installation.
- Refer to the manufacturer service manual when installation. This instruction sheet only shows how to change, it might be different from actual installation. Please understand before installing. We are not responsible for violation of law or damages caused by assembling mistake.

HOW TO INSTALL

HOW TO REMOVE REAR WHEEL (DISK BRAKE STYLE)

- 1) Loosen rear axle nut.
- 2) Raise rear wheel using jack, etc.
- 3) Loosen drive chain adjust bolt, then push rear wheel to forward to maximize the drive chain play.

※For the disk brake, do not use brake after removing wheel.

HOW TO REMOVE REAR WHEEL (DRUM BRAKE STYLE)

- 1) Use main stand to stable vehicle firmly.
- 2) Remove drive chain case. Then remove the connection of rear brake panel side torque link and brake rod.
- 3) Loosen drive chain adjust nut lock nut and adjust nut, then loosen rear axle nut to maximize the drive chain play.
- 4) Remove rear axle nut.
- 5) Remove drive chain from driven sprocket, then remove rear axle and side collar.

HOW TO INSTALL

※Refer to the specified TORQUE of installation bolt/nut.

- 6) In case of disk brake, check the brake caliper/bracket ditch matches to swing arm boss.

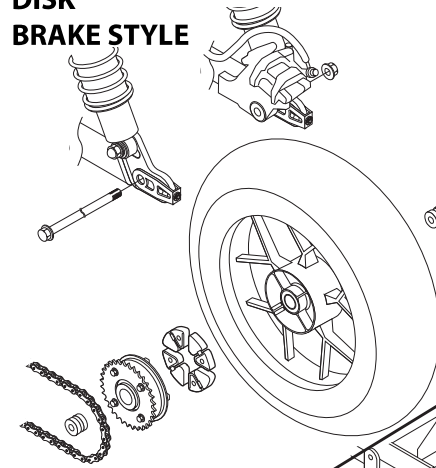
In case of drum brake, install rear brake panel side torque link and brake rod.

- 7) Set the side collar and rear wheel to swing arm, then install drive chain to sprocket.
- 8) Install chain adjust plate, swing arm and rear wheel from left side, then install rear axle/nut.
- 9) Adjust drive chain play. (In case of drum brake, adjusting rear brake play is required.)
- 10) Install axle nut, then tighten with specified torque.

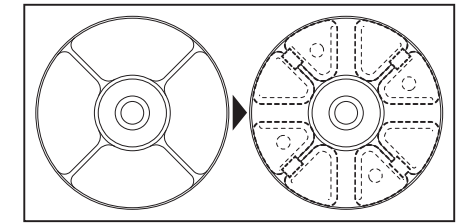
TORQUE : 59~62 N·m (6.0~6.3 kgf·m)

※Illustration is just a reference. The actual shape, using place, pcs, etc are different according to vehicle.

DISK BRAKE STYLE



Hub damper installation place



DRUM BRAKE STYLE

