

TIMING HOLE CAP SET type-2 (L CRANK CASE COVER)

CODE

RED : 753-1001120 | GOLD : 753-1001170 | GUNMETAL GRAY : 753-1001190

APPLICATIONS:

SUPER CUB 50 SERIES (AA06/07/09) / SUPER CUB 110 SERIES (JA42/44/45) /
MONKEY 125 (JB02/03) / GROM (JC61/75/92) / SUPER CUB C125 (JA48/58) /
CT125 HUNTER CUB (JA55) / CB250R (MC52) / CB125R (JC79) / etc.

REMARK : Compare to genuine one, this product is project, it needs to check clearance.

- Thank you for purchasing Kitaco product.
Read and understand the instruction before installing.

ATTENTION (MUST READ)

- This product is designed and made exclusive for application vehicles, do not use other models. Do not modify the way which is not listed or it will cause damage and trouble.
 - We are not responsible for violation of law or damages and accidents caused by assembling mistake and improper setting.
 - Please ask authorized mechanic for assembling and setting.
 - Bolts and nuts may get loosen by engine vibration. Make sure not to loosen any bolts and nuts before driving.
- ※Metal/resin/alumite products get discolored/rust for ages as well as how to use. Please understand when using.

PACKING LIST

FIGURE	NAME	CODE	QTY
1	TIMING HOLE CAP (14) type-2	RED	753-1000200RD 1
		GOLD	753-1000200GL 1
		GUNMETAL GRAY	753-1000200GM 1
2	CRANK SHAFT HOLE CAP (30) type-2	RED	753-1000300RD 1
		GOLD	753-1000300GL 1
		GUNMETAL GRAY	753-1000300GM 1
3	O RING (TIMING HOLE)	13.8x2.5	967-1432001 1
4	O RING (CRANK SHAFT HOLE)	30	967-1432006 1

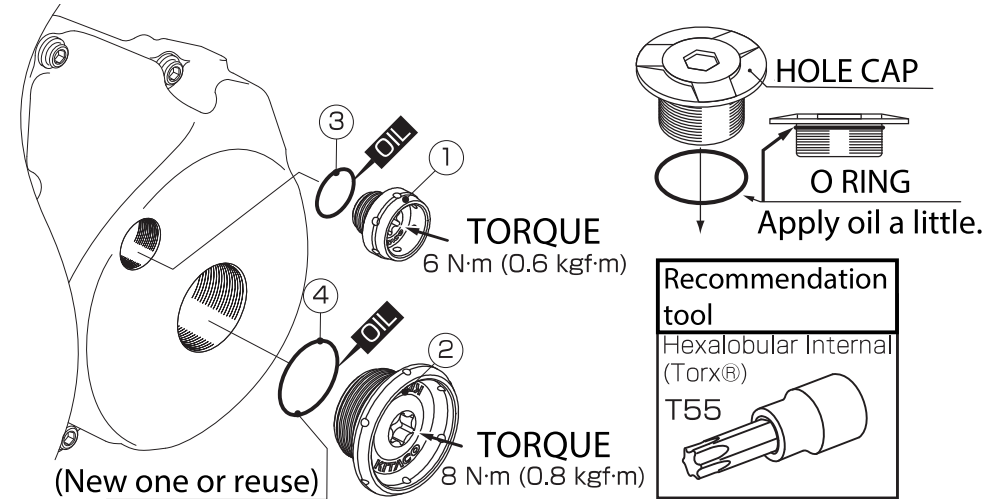
HOW TO INSTALL

- If there is a hard degradation like a blem, fatigue and wear etc on the reuse parts, please change to new ones.
- Remove genuine cap. (Refer to the illustration below.)
- Install O ring to Kitaco cap. ※Apply oil to O ring.
- Tighten with hexalobular internal. (Attention to over tighten.)
- Make sure not to loosen any parts before test ride.

MONKEY 125 L CRANK CASE COVER

O RING POSITION

Install O ring correctly to groove.



210417



〒 577-0015

3-8-13

NAGATA, HIGASHI-
OSAKA, OSAKA, JAPAN