

# HANDLE SWITCH (L)

CODE : 756-1320100

APPLICATION:DAX125(JB04)

Remarks :

● Thank you for purchasing Kitaco product. Read and understand the instruction before installing.

**ATTENTIONS (MUST READ)**

- This product is designed and made exclusive for application vehicle,do not use other models. Do not modify the way which is not listed or it will cause damage and trouble.
- We are not responsible for damages and accidents caused by assembling mistake and improper setting.
- Please ask authorized mechanic for assembling and settling.
- When installation,must turn main switch OFF,and headlight is completely cool. It might cause of electric shock and burn.
- Bolts and nuts may get loosen by engine vibration. Make sure not to loosen any bolts and nuts before driving.
- This instruction sheet is for the instruction for genuine condition.

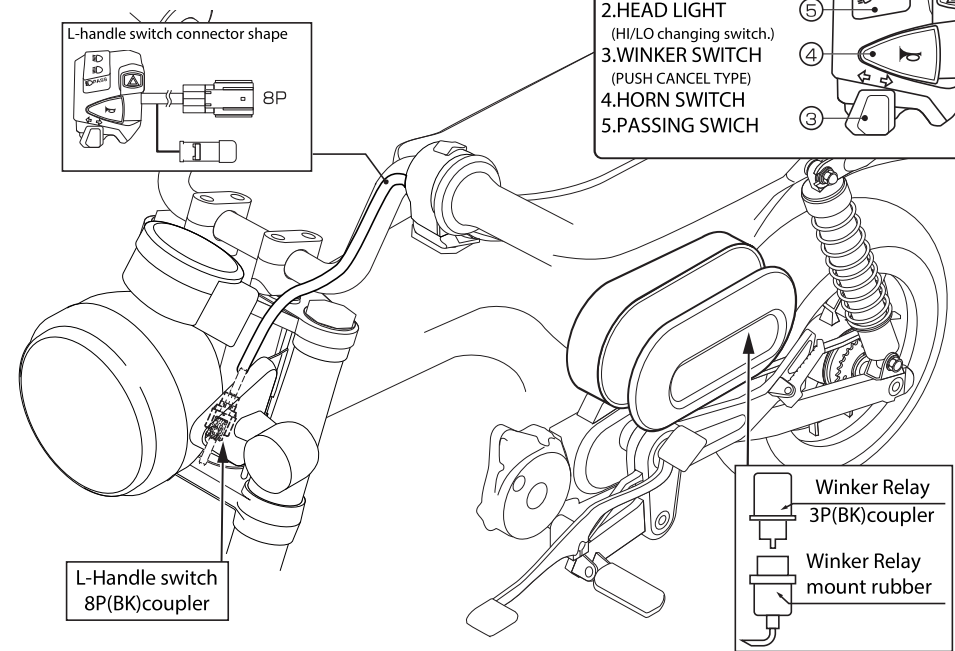
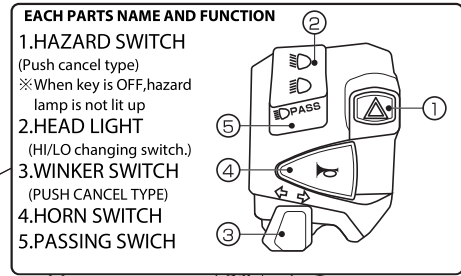
PACKING LIST

FIGRE	NAME	CODE	QTY	
-	HANDLE SWITCH ASSY	DAX125 (JB04)	756-1320101	x1
-	SCREW WASHER	M5x16	052-0042016	x2
-	LED WINKER RELAY	(3P) 12v100w	755-0400940	x1
-	POSITION MATCHING PATTERN (or this sheet) GROM/MONKEY125	-	-	x1

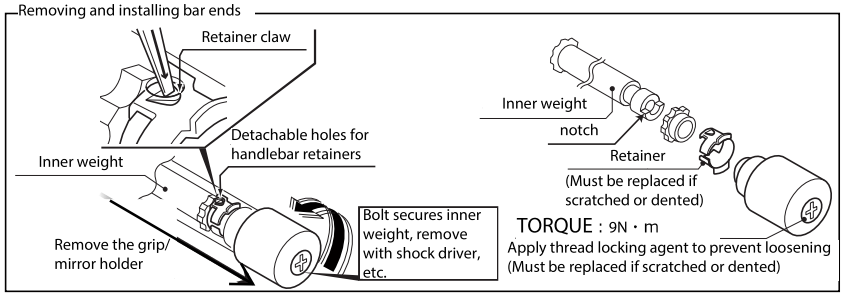
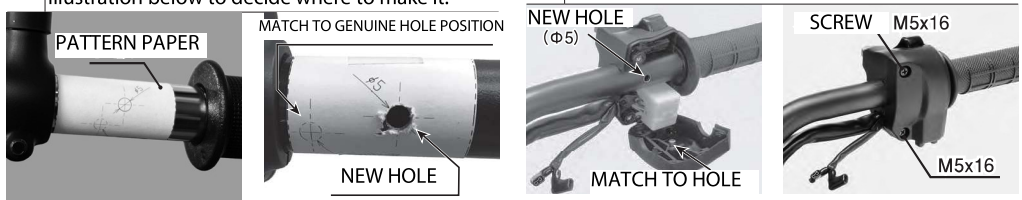
HOW TO INSTALL

- 1)Remove the headlight unit, disconnect the left (L) handle switch coupler from the clutch switch terminal connection, and then remove the L handle switch.
- 2)Make a new hole for installation by using attached pattern paper.(Refer ti the illustration 2 in right side.)
- 3)Wire Kitaco handle switch harness in the same way as genuine.
- 4)Install with attached bolt while the new hole and handle switch pin is matched.(Refer to the illustration 4 on right side. )※Must to use attached screw M5x16 because genuine one (M5x20) is different length and cause of break.
  - ※Tighten screw from upper side to lower side.(TORQUE:2.5 · m)
- 5)Change genuine winker relay to attached one and convert harness.
- 6)Put back the removed parts. Make sure the switch works correctly.

About the indicator relay  
The blinking operation may be different from that of the genuine product, but this is not a malfunction of the relay

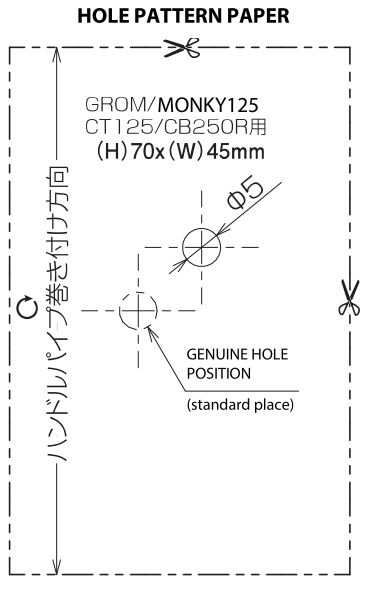
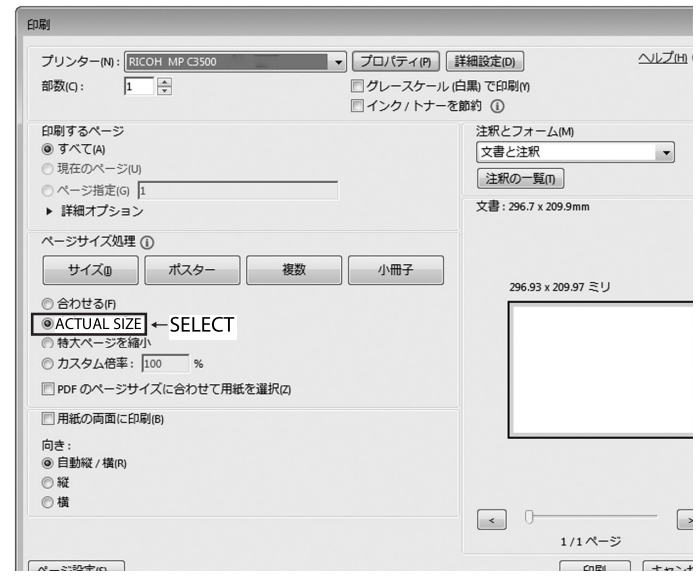


- 2 Making new hole
  - 1) Cut the instruction sheet pattern paper,then roll to handle pipe. Match the genuine hole position as illustration below to decide where to make it.
- 4
  - ※Must to use attached screw M5x16. Genuine one(M5x20) is different length and might cause of break.
  - ※Tighten upper screw to lower screw. (TORQUE:2.5N · m)



**IMPORTANT! Pattern paper print setting.**

When printing pattern paper,please select "actual size"by print setting option. Except the "actual size",the pattern paper prints smaller than actual,it might make hole out of instruction and cannot fix it. Be careful of it. We are not responsible for processing error. please understand before printing  
Soft ware : Adobe Acrobat Reader DC



240229 M-T