

POWER SUPPLY EXTRACT HARNESS

CODE:756-1424900

APPLICATION	SUPER CUB 50 STANDARD (AA04) / 110 STANDARD (JA007/10)
ATTENTION	SUPER CUB 50 (AA09) / 110 (JA44) / SUPER CUB 50 PRO (AA04-3000001~) / 110 PRO (JA10-1100001~) / CROSS CUB (JA10-4000001~) are NOT usable, because power supply harness coupler is different.
ATTENTION	※NOT FOR HIGH CURRENT ACCESSORIES SUCH AS AMPLIFIER & COMPRESSOR etc.

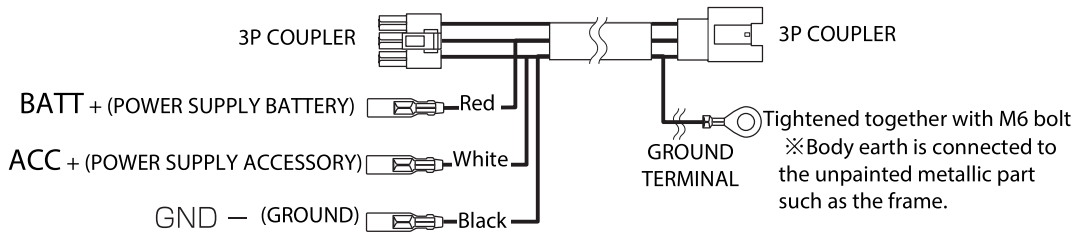
Thank you for purchasing Kitaco product. Read and understand the instruction before installing.

ATTENTIONS (MUST READ)

- ▼ Install POWER SUPPLY EXTRACT HARNESS, referring to below instruction.
 - We are not responsible for violation of law of or damages and accidents caused by assembling mistake and improper setting.
 - Please ask authorized mechanic for assembling and setting. Ask a mechanic or a specialist at a specialty shop for assembling and setting if you do not understand the role of the surrounding parts.
 - Refer to the HONDA service manual for each vehicle when installing.
 - POWER SUPPLY EXTRACT HARNESS is designed and made exclusive for SUPER CUB 50 STANDARD (AA04) / 110 STANDARD (JA007/10), do not use on other models.
 - Make sure there is no abnormal thing in vehicle and engine starts normally.
 - Make sure there is no bolt / nut / coupler terminal left or loosen before running.
 - Please give this instruction together when your vehicle is sold.
- ※NOT FOR HIGH CURRENT ACCESSORIES SUCH AS AMPLIFIER & COMPRESSOR etc.



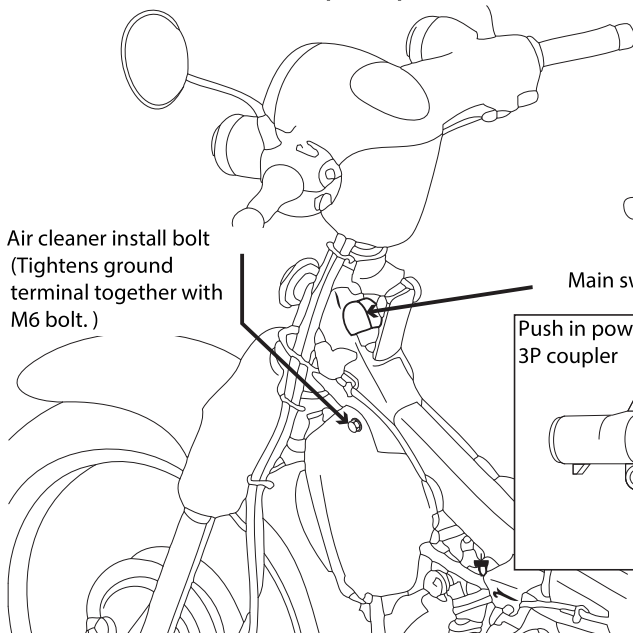
This instruction sheet is for the person who has basic knowledge for maintenance. Do not operate if you do not have skill and knowledge.



ATTENTION!

Do NOT extract of power from head light 3P coupler .

SUPER CUB 110 (JA07)



Air cleaner install bolt (Tightens ground terminal together with M6 bolt.)

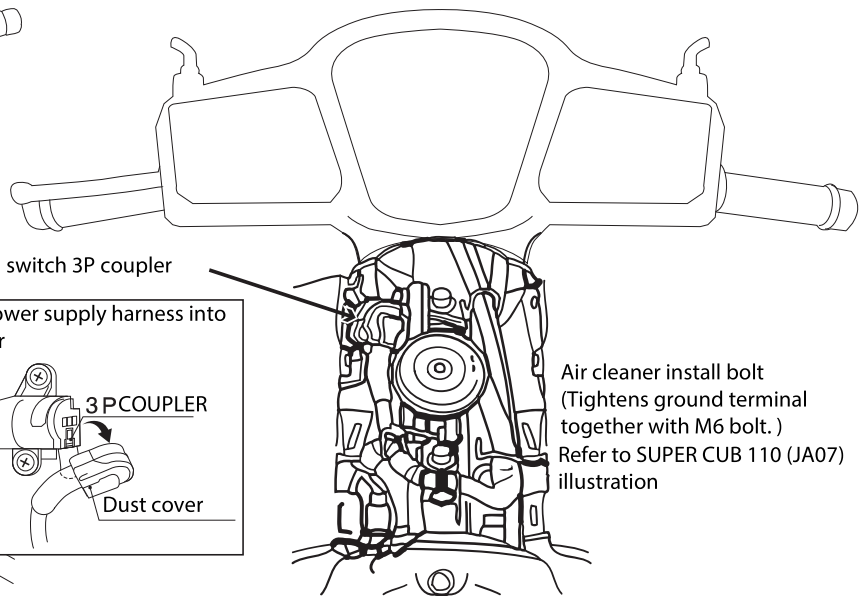
Main switch 3P coupler

Push in power supply harness into 3P coupler

3PCOUPLER

Dust cover

SUPER CUB 50 / 110 (AA04/JA10)



Air cleaner install bolt (Tightens ground terminal together with M6 bolt.) Refer to SUPER CUB 110 (JA07) illustration



180511
3-8-13 NAGATA,
HIGASHI-OSAKA,
OSAKA,577-0015,
JAPAN