

SWITCH SET (HAZARD / PASSING FUNCTION BUILT-IN)		
CODE	756-1429200	756-1439200
APPLICATION	SUPER CUB110 (JA10) ※2	SUPER CUB110 (JA44)
REMARK	※By changing winker relay, buzzer function will be lost. ※2 Unable to install for SUPER CUB110 PRO and CROSS CUB110.	

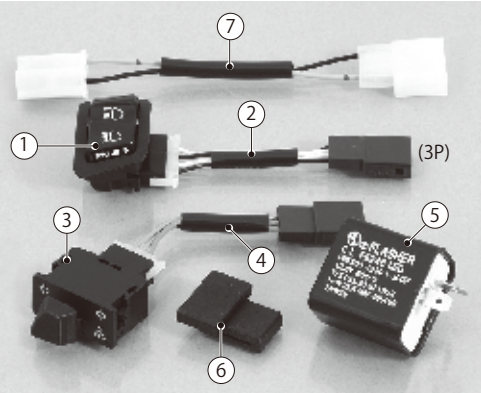
●Thank you for purchasing Kitaco product. Read and understand the instruction before installing.

ATTENTION (MUST READ)

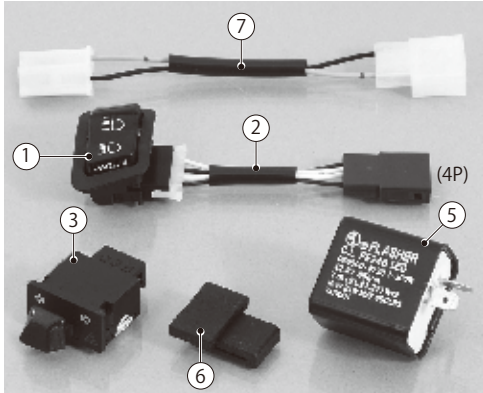
- This product is designed and made exclusive for application models, do not use other models. Do not modify the way which is not listed or it will cause damage and trouble.
- We are not responsible for violation of law or damages and accidents caused by assembling mistake and improper setting.
- Please ask authorized mechanic for assembling and setting. Ask a specialist at specialty shop if you do not understand the role of the surrounding parts.
- Refer to the manufacturer service manual when installation.
- When installation, turn main switch to OFF and operate with head light is completely cool. It might cause of electric shock and burning.
- Bolts and nuts may get loosen by engine vibration. Make sure not to loosen any bolts and nuts before driving.
- This instruction sheet is for the instruction for stock condition.

PACKING LIST			JA10	JA44
FIGURE	NAME	CODE	QTY	
1	DIMMER & PASSING HANDLE SWITCH	756-1429201	x1	x1
2	PASSING CONVERT HARNESS	3P (JA10)	x1	-
		4P (JA44)	-	x1
3	HAZARD SWITCH B	34mm	x1	-
	HAZARD SWITCH A	30mm	-	x1
4	HAZARD CONVERT HARNESS	(JA10)	x1	-
5	WINKER RELAY	(SQUARE) CL-F09	x1	x1
6	WINKER RELAY SUSPENSION	RUBBER BAND	x1	x1
7	WINKER RELAY CONVERT HARNESS	756-1446102	x1	x1

(JA10) 756-1429200



(JA44) 756-1439200



HOW TO INSTALL

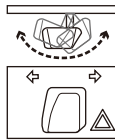
- 1) Remove handle cover, then unconnect dimmer / winker switch connector on left side to change attached switch. [Refer to the removing / installing illustration]
- 2) Change stock winker relay to attached winker relay and convert harness.
- 3) Put removed parts back together to finish installation. Make sure that switch works correctly.

ABOUT WINKER RELAY

Compared to stock one, flashing might be different but it is not relay main unit error.

HAZARD OPERATION

- FLASH
 1. Push right and left of winker switch once each of turning signal (do not push cancel).
 - ※There is no order of left and right.
 2. Push winker switch once (push cancel).
 - ※When key is OFF, hazard lamp does not light.
- CANCEL



201005 M-T



3-8-13 NAGATA,
HIGASHI-OSAKA,
OSAKA, JAPAN

ATTENTION!

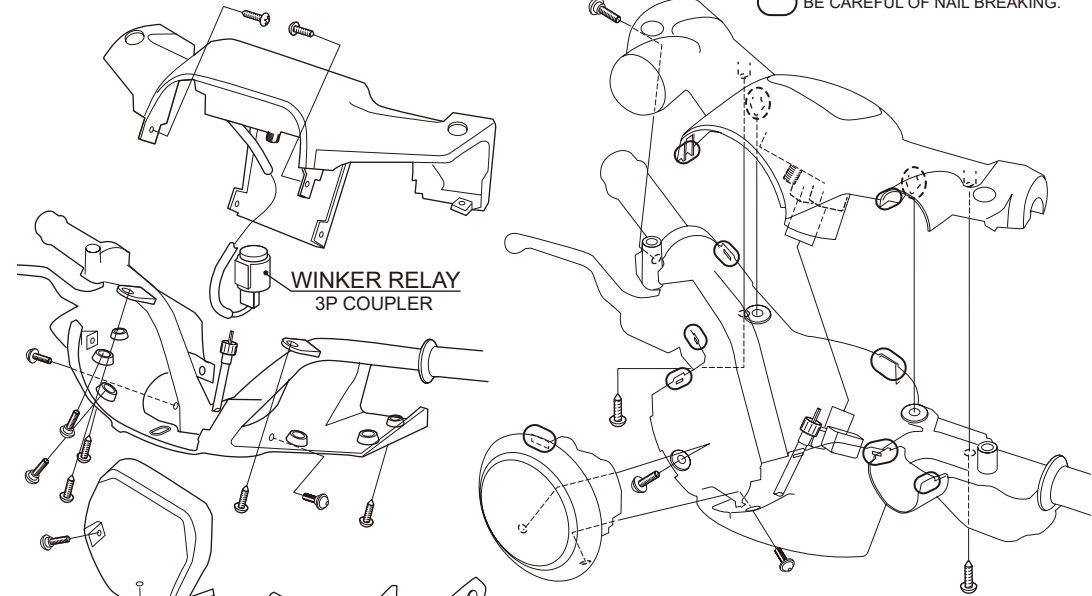
○INSTALLING / REMOVING OUTER COWLS

※Installing / removing outer cowls is required to install this product. Refer to the service manual for installation.

UPPER HANDLE COVER INSTALLING / REMOVING (JA44)

UPPER HANDLE COVER INSTALLING / REMOVING (JA10)

○ BE CAREFUL OF NAIL BREAKING.



BACK SIDE OF COMBINATION METER :

DIMMER SWITCH 4P COUPLER

(JA10)

DIMMER SWITCH 3P COUPLER

(JA44)

WINKER LIGHT SWITCH 3P (RED) COUPLER

