

# POWER SUPPLY EXTRACT

(HONDA type-3) CODE:756-9000120

APPLICATION REBLE250 (MC49~1199999) / REBLE500 (PC60~1199999) · CBR650 / CB650R (~ RH03-1099999) · CB1000R (~SC80-1299999)

ATTENTION ※NOT FOR HIGH CURRENT ACCESSORIES SUCH AS AMPLIFIER & COMPRESSOR etc.

Thank you for purchasing Kitaco product. Read and understand the instruction before installing.

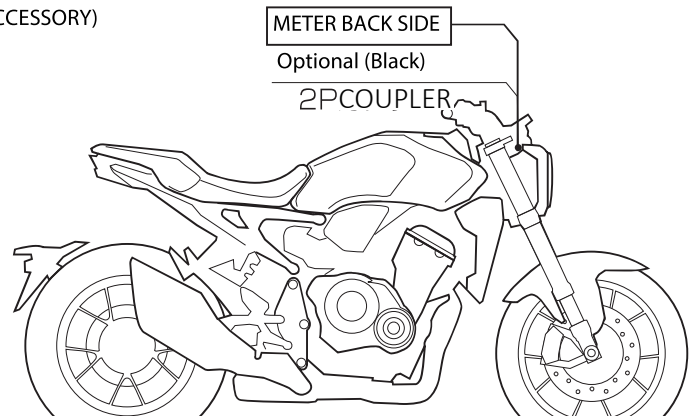
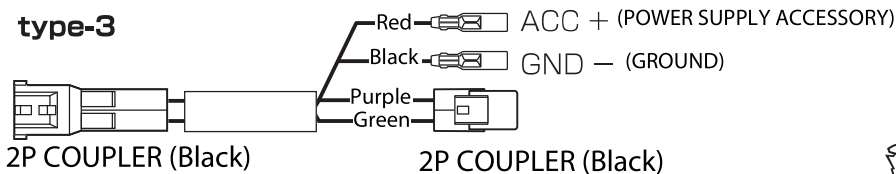
## ATTENTIONS (MUST READ)

- ▼Install POWER SUPPLY EXTRACT HARNESS, referring to below instruction.
  - We are not responsible for violation of law of or damages and accidents caused by assembling mistake and improper setting.
  - Please ask authorized mechanic for assembling and setting. Ask a mechanic or a specialist at a specialty shop for assembling and setting if you do not understand the role of the surrounding parts.
  - Refer to the HONDA service manual for each vehicle when installing.
- POWER SUPPLY EXTRACT HARNESS is designed and made exclusive for specific models, do not use on other models.  
Make sure there is no abnormal thing in vehicle and engine starts normally.  
Make sure there is no bolt / nut / coupler terminal left or loosen before running.  
Please give this instruction together when your vehicle is sold.  
※NOT FOR HIGH CURRENT ACCESSORIES SUCH AS AMPLIFIER & COMPRESSOR etc.



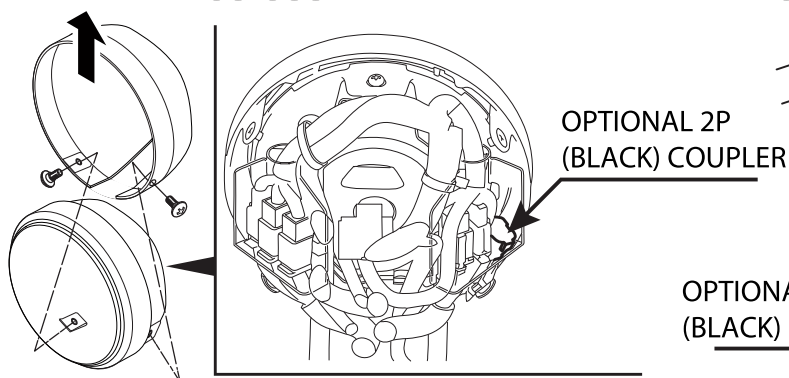
This instruction sheet is for the person who has basic knowledge for maintenance. Do not operate if you do not have skill and knowledge.

### type-3



APPLICATION	SUPPLY EXTRACT POINT	CONNECTOR / COUPLER POSITION
REBLE 250/500 (~ 1199999)	OPTIONAL 2P (BLACK) COUPLER	Inside head light case
CBR650R/CB650R (~ 1099999)		In the left side frame under the tank
CB1000R (~ SC80-1299999)		Meter back side

### REBLE 250/500



### CBR650R/CB650R

